

WINDOW CRANK HANDLES, KNOBS & RELATED PARTS



1312643

Knob, only. 1956-61 car all models, 1966 all models, Truck: 1960-64 Champ. Black.**\$4.50 ea.**

1312643X1 Window crank handle with black knob. 1956-61 car, all models. 1966 all models. Truck: 1960-64 Champ. Will also substitute on other models with white knobs..... **\$39.00 ea.**

New!



NEW - 1312643X3 Window crank handle with white knob. 1962-65 Lark & Hawk. 1963-64 Avanti & Early Avanti II. Will also substitute on other models with black knobs. **\$45.00 ea.**



652204 Inside chrome window crank handle with black plastic knob. 1949-64 C- cab truck.**\$45.00 ea.**

1954X1 Attaching screw.**25¢ ea.**

1353706 Adapter, rear window crank to regulator. 1963-66 Wagonaire.**\$22.00 ea.**

4-DOOR ELECTRIC WINDOW REGULATORS

310124 Rear right door regulator. 1955-58 long wheelbase sedan with power windows.**\$175.00 ea.**

310126 Rear right door regulator. 1955-58 short wheel base sedan with power windows.**\$175.00 ea.**

310127 Rear left door regulator. 1955-58 short wheel base sedan with power windows.**\$175.00 ea.**

2-DOOR ELECTRIC WINDOW REGULATOR

310729 Left door regulator. 1955-58 K - body hardtop.**\$175.00 ea.**



WINDOW ROLLERS & CLIPS

281089 Washer. Window regulator arm to glass. 1947-64 most models except 1963-64 sedans and wagons.**\$.25 ea.**

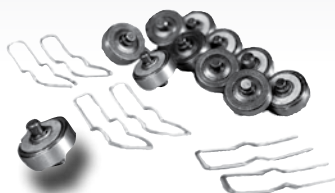
285030 Clip. Window regulator arm to glass. 1947-64 most models except 1963-64 sedans and wagons.....**\$1.00 ea.**



1350837 Roller & clip. 1963-66 Lark. 1963-85 Avanti. Takes 2 per door.**\$3.00 ea.**

1350838 Retainer clip for 1350837 roller.**20¢ ea.**

WINDOW ROLLER & CLIP KIT



801453 Roller & clip kit. 1953-64 K-body hardtop & 1947-52 convertible & hardtop. Enough for 2 doors.....**\$79.90 ea.**

NOTE: SIDE WINDOWS HAVE 5 SPECIAL ROLLERS AND 3 SPECIAL CLIPS TO HOLD THEM IN PLACE. OF THE 5 ROLLERS ON EACH SIDE, THERE ARE 3 DIFFERENT SIZES AND OF THE 3 CLIPS THERE ARE 2 DIFFERENT STYLES. THIS KIT INCLUDES 10 ROLLERS AND 6 CLIPS, ENOUGH FOR ONE CAR & ALL THE ROLLERS AND CLIPS ARE THE CORRECT SIZE.

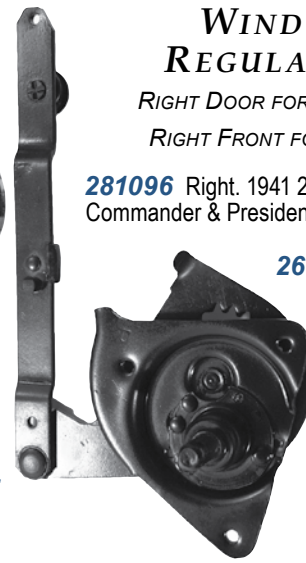
750077 Retainer clips only. Set of 6. Enough for 2 doors.**\$10.50/set 6**

WINDOW REGULATORS

RIGHT DOOR FOR 2-DOOR OR RIGHT FRONT FOR 4-DOOR

281096 Right. 1941 2-door & 1942-46 Commander & President. .. **\$80.00 ea.**

265339 Right front. 1937 4-door.**\$90.00 ea.**



266806 Right or Right front. 1938-39 2-door or 4-door all except Champion. Also used as left rear regulator 1938-39 4-door car all except Champion.**\$90.00 ea.**

270812 Right front. 1939-40 Champion.**\$90.00 ea.**

273700 Right front. 1940 all except Champion.**\$90.00 ea.**

284842 Right or Right front. 1947-48 all 2-door & 4-door cars except convertible.**\$80.00 ea.**

284844 Right front. 1947-48 4-door sedan.**\$70.00 ea.**

286660 Right front. 1947-48 Land Cruiser.**\$80.00 ea.**

286748 Right. 1947-48 2-door convertible.**\$80.00 ea.**

289790 Right or Right front. All 1949-52 2-door & 4-door except convertible.**\$90.00 ea.**

289794 Right. 1949-52 2-door convertible.**\$80.00 ea.**

289796 Right front. 1949-52 Land Cruiser.**\$80.00 ea.**

307312 Right or Right front. 1953-55 2-door & 4-door sedan & wagon. 1956-57 F2 & W2 sedan.**\$80.00 ea.**

307316* Right. 1953-55 C & K coupe & hardtop. NOS.**\$210.00 ex.**

1314350 Right or Right front. 1956-61 2-door & 4-door sedan & wagon. 1956-58 coupe & K-body hardtop. Truck: 1960-61 pickup.**\$90.00 ea.**

1327430 Right. 1959-61 hardtop & convertible.**\$130.00 ea.**

1331716* Right. 1959-63 Hawk. Rebuilt exchange - the shaft is slightly shorter.**\$210.00 ex.**

1343100 Right or Right front. 1962 sedan & wagon. Truck: 1962-64 **\$105.00 ea.**

****1343354*** Right. 1962-63 J-body hardtop or convertible. Rebuilt exchange.**\$205.00 ex.**

1352602 Right front. 1963-66 sedan & wagon.**\$120.00 ea.**

1360872* Right. 1964 Hawk. Rebuilt exchange - the shaft is slightly shorter.**\$210.00 ex.**

****1360888*** Right. 1964 J-body hardtop or convertible. Rebuilt exchange.**\$205.00 ex.**

****1360888*** Right. 1964 J-body hardtop or convertible. Rebuilt exchange.**\$205.00 ex.**

****1360888*** Right. 1964 J-body hardtop or convertible. Rebuilt exchange.**\$205.00 ex.**

***WE MUST HAVE YOUR OLD REGULATORS PRIOR TO SHIPPING. PLEASE SEND YOUR ORDER WITH YOUR OLD REGULATORS.**

****PLEASE REMOVE IDLER BEFORE SHIPPING CORE.**

WINDOW REGULATORS

LEFT DOOR FOR 2-DOOR OR

LEFT FRONT FOR 4-DOOR

***MUST HAVE YOUR OLD REGULATORS PRIOR TO SHIPPING. SEND YOUR ORDER WITH YOUR OLD REGULATORS.**

****PLEASE REMOVE IDLER BEFORE SHIPPING CORE.**

265340 Left front. 1937 4-door.

..... **\$90.00 ea.**

266807 Left or Left front. 1938-39 2-door or 4-door car except Champion. ... **\$90.00 ea.**

270813 Left front. 1939-40 Champion.

..... **\$90.00 ea.**

273701 Left front. 1940 all except Champion.

..... **\$80.00 ea.**

281097 Left front. 1941 2-door & 1942-46 Commander & President. **\$80.00 ea.**

284843 Left or Left front. 1947-48 all 2-door & 4-door cars except convertibles. .. **\$90.00 ea.**

284845 Left front. 1947-48 4-door sedan

..... **\$70.00 ea.**

286661 Left front. 1947-48 Land Cruiser.

..... **\$90.00 ea.**

286749 Left. 1947-48 2-door convertible.

..... **\$90.00 ea.**

289791* Left or Left front. All 1949-52 2-door & 4-door except convertible. Rebuilt exchange. **\$205.00 ex.**

289795 Left. 1949-52 2-door convertible. Rebuilt Exchange..... **\$210.00 ex**

289797 Left front. 1949-52 Land Cruiser.

..... **\$90.00 ea.**

307313* Left or Left front. 1953-55 2-door & 4-door sedan & wagon. 1956-57 F2 & W2 sedan. Rebuilt exchange. **\$205.00 ex.**

307317* Left. 1953-55 coupe & hardtop.

Rebuilt exchange. **\$295.00 ex.**

310123 Left front. All 1955-58. 4-door with power windows. **\$165.00 ea.**

1314351* Left or Left front. 1956-61 2-door & 4-door sedan & wagon. 1956-58 coupes & K-body hardtop. Truck: 1960-61 truck. NOS. Rebuilt exchange. **\$210.00 ex.**

1327431* Left. 1959-61 hardtop & convertible. Rebuilt exchange. **\$205.00 ex.**

1331717* Left. 1959-63 Hawk. Rebuilt exchange - the shaft is slightly shorter. **\$210.00 ex.**

1343101 Left or Left front. 1962 sedan & wagon. Truck: 1962-64 Champ. **\$105.00 ea.**

****1343355*** Left. 1962-63 J-body hardtop or convertible. Rebuilt exchange. **\$205.00 ex.**

1352603* Left or Left front. 1963 2-door & 4-door sedan. Rebuilt exchange. **\$205.00 ex.**

1360427* Left or Left front. 1964 2-door & 4-door sedan. Rebuilt exchange. **\$205.00 ex.**

1360873* Left. 1964 Hawk. Rebuilt exchange - the shaft is slightly shorter. **\$210.00 ex.**

****1360889*** Left. 1964 J-body hardtop or convertible. Rebuilt exchange. .. **\$205.00 ex.**

1361047* Left or Left front. 1965-66 2-door & 4-door sedan. Rebuilt exchange **.\$210.00 ex.**



RIGHT REAR DOOR- WINDOW REGULATOR FOR A 4-DOOR CAR

263122 Right rear. 1936-37 4-door.

..... **\$80.00 ea.**

266807 Right rear. 1938-39 4-door Except Champion. **\$90.00 ea.**

270822 Right rear. 1939-40 4-door

Champion. **\$80.00 ea.**

281042 Right rear. 1941 4-door Champion.

..... **\$90.00 ea.**

282124 Right rear. 1942 4-door Champion.

..... **\$90.00 ea.**

286662 Right rear. 1947-48 Land Cruiser.

..... **\$60.00 ea.**

289792 Right rear. 1949-52 4-door sedan.

..... **\$60.00 ea.**

289798 Right rear. 1949-52 Land Cruiser.

..... **\$60.00 ea.**

307320 Right rear. 1954-55 4-door sedan & 1956-57 W2 custom sedan **\$60.00 ea.**

1314354 Right rear. 1956-61 W1-W4-W6-4-door sedan. Used as left rear regulator on

1956-61 long wheelbase sedan & 1962 long wheelbase sedan & cruiser. ... **\$105.00 ea.**

1336260 Right rear. 1962 long wheelbase 4-door sedan except late models. Also 1960-62 wagon. **\$105.00 ea.**

1352600 Right rear. 1963 4-door.

..... **\$120.00 ea.**

1358230 Right rear. 1964-66 4-door.

..... **\$120.00 ea.**

LEFT REAR DOOR WINDOW REGULATOR FOR A 4-DOOR CAR

263123 Left rear. 1936-37 4-door.

..... **\$80.00 ea.**

266806 Left rear. 1938-39 4-door Except Champion..... **\$90.00 ea.**

270823 Left rear. 1939-40 4-door Champion.

..... **\$90.00 ea.**

281043 Left rear. 1941 4-door Champion.

..... **\$90.00 ea.**

282125 Left rear. 1942 4-door Champion.

..... **\$90.00 ea.**

286663 Left rear. 1947-48 Land Cruiser.

..... **\$60.00 ea.**

289793 Left rear. 1949-52 4-door sedan.

..... **\$60.00 ea.**

289799 Left rear. 1949-52 Land Cruiser.

..... **\$60.00 ea.**

307321 Left rear. 1954-55 4-door sedan & 1956-57 W-2 custom sedan. **\$60.00 ea.**

310125 Left rear. 1955-58 long wheelbase sedan with power windows. **\$175.00 ea.**

1314355 Left rear. 1956-61 W1, W4, W6, 4-door sedan. Also on 1956-61 long wheelbase sedan & late 1962 long wheelbase Y-1 & cruiser. **105.00 ea.**

1336261 Left rear. 1962 long wheelbase 4-door sedan except late Y-1 models. Also 1960-62 wagon. **\$105.00 ea.**

1352601 Left rear. 1963 4-door

..... **\$120.00 ea.**

1358231 LR. 1964-66 4-door.

..... **\$120.00 ea.**

RIGHT REAR QUARTER WINDOW REGULATOR FOR A 2-DOOR CAR

263123 Right rear quarter. 1936-37 2-door.

..... **\$80.00 ea.**

283378 Right rear quarter. 1939-46 2-door Champion. **\$80.00 ea.**

285484 Right rear quarter. 1947-52 all 2-door & sedan. **\$70.00 ea.**

296130 Right rear quarter. 1952 K-body hardtop. **\$95.00 ea.**

297814 Right rear quarter. 1953-55 2-door sedan & 1956-57 F-2 sedan **\$108.00 ea.**

1314356 Right rear quarter. 1956-58 F4 & F6 2-door sedan. **\$105.00 ea.**

1327632 Right rear quarter. 1958 J-hardtop.

..... **\$125.00 ea.**

1331508 Right rear quarter. 1959-66 2-door sedan. **\$105.00 ea.**

1336042 Right rear quarter. 1959-63 convertible. **\$125.00 ea.**

1337316 Right rear quarter. for 1959-60 Lark hardtop. **\$90.00 ea.**

1339776 Right rear quarter. 1962-63 Lark hardtop. **\$125.00 ea.**

1343150 Right rear quarter. 1961 Lark hardtop. **\$125.00 ea.**

1343760 Right rear quarter. 1962-63 Hawk. **\$125.00 ea.**

1360874 Right rear quarter. 1964 Daytona hardtop. **\$120.00 ea.**

1360876 Right rear quarter. 1964 convertible. **\$120.00 ea.**

1360878 Right rear quarter. 1964 Hawk. **\$120.00 ea.**

LEFT REAR QUARTER WINDOW REGULATOR FOR A 2-DOOR CAR

263122 Left rear quarter. 1936-37 2-door.

..... **\$80.00 ea.**

283379 Left rear quarter. 1939-44 2-door Champion. **\$80.00 ea.**

285485 Left rear quarter. 1947-52 all 2-door & sedan **\$80.00 ea.**

296131 Left rear quarter. 1952 K-2 hardtop.

..... **\$95.00 ea.**

297815 Left rear quarter. 1953-55 2-door sedan & 1956-57 F-2 sedan. **\$108.00 ea.**

1327633 Left rear quarter. 1958 J-body hardtop. **\$125.00 ea.**

1331509 Left rear quarter. 1959-66 2-door sedan. **\$105.00 ea.**

1336043 Left rear quarter. 1959-63 convertible **\$125.00 ea.**

1337317 Left rear quarter. 1959-60 Lark hardtop. **\$90.00 ea.**

1339777 Left rear quarter. 1962-63 Lark hardtop. **\$125.00 ea.**

1343151 Left rear quarter. 1961 Lark hardtop. **\$125.00 ea.**

1343761 Left rear quarter. 1962-63 Hawk. **\$125.00 ea.**

1360875 Left rear quarter. 1964 Daytona hardtop. **\$120.00 ea.**

1360877 Left rear quarter. 1964 convertible. **\$120.00 ea.**

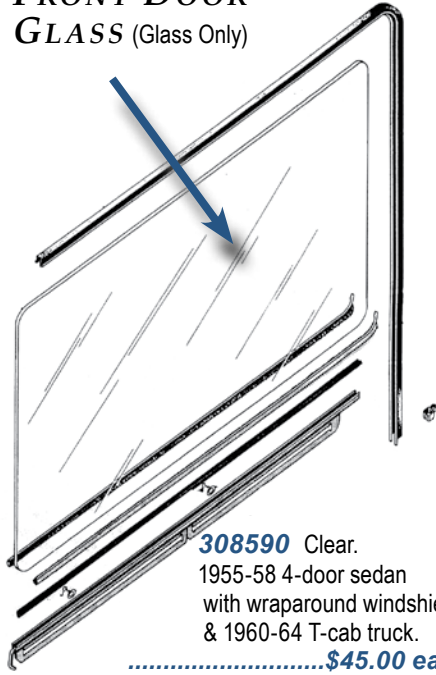
1360879 Left rear quarter. 1964 Hawk. **\$120.00 ea.**

DOOR GLASS UPPER CHROME FRAME for Convertibles and Hardtops (Frame Only)



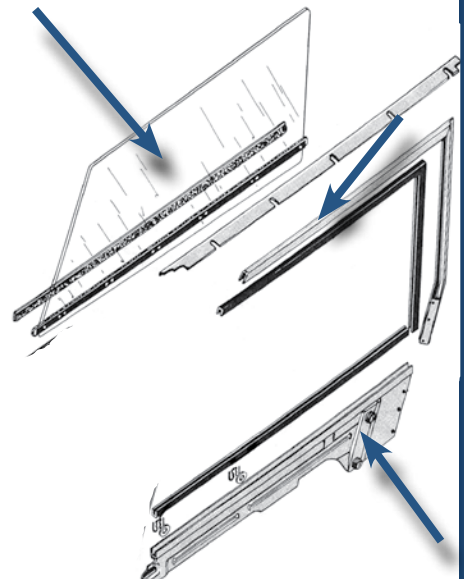
- 1343734** Right. 1962-64 G.T. Hawk. Does not include rollers. **\$75.00 ea.**
- 1353688** Right. 1963-64 convertible. **\$110.00 ea.**
- 1353689** Left. 1963-64 convertible. **\$110.00 ea.**
- 1353694** Right. 1963 Daytona hardtop. **\$110.00 ea.**
- 1353695** Left. 1963 Daytona hardtop. **\$110.00 ea.**

FRONT DOOR GLASS (Glass Only)



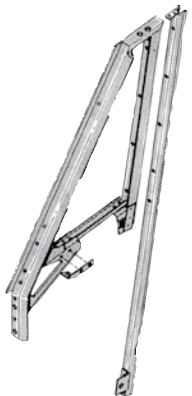
- 308590** Clear. 1955-58 4-door sedan with wraparound windshield & 1960-64 T-cab truck. **\$45.00 ea.**
- 1322501** Tinted. 1959-62 4-door sedan. **\$45.00 ea.**
- 1331208** Clear. 1959-62 J-body Lark hardtop. **\$60.00 ea.**
- 1343741** Clear. 1962-64 G.T. Hawk. **\$50.00 ea.**
- 1350724** Right, clear. 1963-89 Avanti. **\$315.00 ea.**
- 1350725** Left, clear. 1963-89 Avanti. **\$315.00 ea.**
- 1352633** Tinted. 1963 4-door sedan & 1963-66 station wagon. NOS. **\$55.00 ea.**
- 1352634** Clear. 1963 2-door sedan. **\$45.00 ea.**
- 1352635** Tinted. 1963 2-door sedan. **\$55.00 ea.**
- *1353826** Clear. 1963 Daytona hardtop. **\$70.00 ea.**
- *1353827** Tinted. 1963 Daytona hardtop. **\$80.00 ea.**
- 1358038** Clear. 1964-66 2-door sedan. Limited availability. NOS. **\$45.00 ea.**
- 1358039** Tinted. 1964-66 2-door sedan. **\$55.00 ea.**
- *1358418** Clear. 1964 Daytona hardtop. **\$60.00 ea.**

MAIN DOOR WINDOW including Upper Frame and Lift Channel



- 1327200** Right side, clear glass. 1958 J-body hardtop. **\$225.00 ea.**
- 1332380** Right side, clear glass. 1959-62 hardtop Lark. **\$225.00 ea.**
- 1332381** Left side, clear glass. 1959-62 hardtop Lark. **\$225.00 ea.**
- 1336860** Right side, clear glass. 1960-62 convertible. **\$225.00 ea.**
- 1336862** Right side, tinted glass. 1960-62 convertible. **\$235.00 ea.**
- 1336863** Left side, tinted glass. 1960-62 convertible. **\$235.00 ea.**
- 1343730** Right side, clear glass. 1962-64 G.T. Hawk. **\$225.00 ea.**
- 1353680** Right side, clear glass. 1963 hardtop Daytona. **\$260.00 ea.**
- 1353681** Left side, clear glass. 1963 hardtop Daytona. **\$260.00 ea.**
- 1353682** Right side, tinted glass. 1963 hardtop Daytona. **\$270.00 ea.**
- 1353683** Left side, tinted glass. 1963 hardtop Daytona. **\$270.00 ea.**
- 1353684** Right side, clear glass. 1963-64 convertible. **\$260.00 ea.**
- 1353685** Left side, clear glass. 1963-64 convertible. **\$260.00 ea.**
- 1353686** Right side, tinted glass. 1963-64 convertible. **\$270.00 ea.**
- 1353687** Left side, tinted glass. 1963-64 convertible. **\$270.00 ea.**
- 1358400** Right side, clear glass. 1964 hardtop Daytona. **\$260.00 ea.**
- 1358401** Left side, clear glass. 1964 hardtop Daytona. **\$260.00 ea.**
- 1358402** Right side, tinted glass. 1964 hardtop Daytona. **\$270.00 ea.**
- 1358403** Left side, tinted glass. 1964 hardtop Daytona. **\$270.00 ea.**

FRONT DOOR VENT WINDOW OUTER FRAME (Frame only)



- 304478** Right. 1953-64 K-body hardtop. **\$130.00 ea.**
- 304479** Left. 1953-64 K-body hardtop. **\$130.00 ea.**
- 1323635** Left. 1957-62 taxi. Includes "U" channel. **\$65.00 ea.**

WINDOW LIFT REPAIR CHANNEL FOR 1963-85 AVANTI

800140

Window lift channel. Repairs 1350734 and 1350735 channel. Must be welded in place. **\$35.00 ea.**

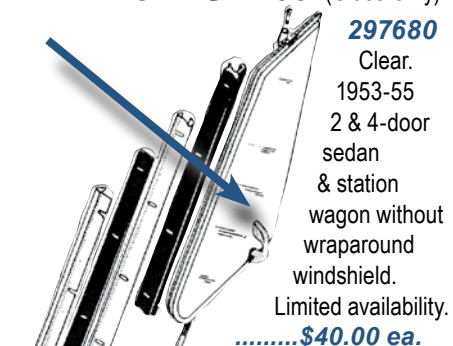


*Note: Also see "Main door windows" to the right.

SLIDING DOOR GLASS (Glass Only)

- 1657615** 8E Postal Zip Van front sliding door glass. **\$100.00 ea.**

FRONT DOOR VENT WINDOW GLASS (Glass Only)



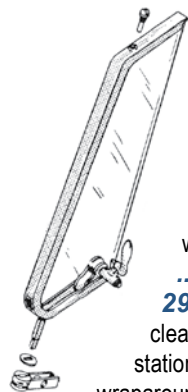
- 297680** Clear. 1953-55 2 & 4-door sedan & station wagon without wraparound windshield. Limited availability. **\$40.00 ea.**
- 310709** Tinted. 1955-58 sedan & station wagon with wraparound windshield. Limited availability. **\$40.00 ea.**
- 1331204** 1959-62 convertible. Clear. **\$40.00 ea.**
- 1350561** Left front, clear. 1963-89 Avanti. **\$160.00 ea.**
- 1350562** Right front, tinted. 1963-89 Avanti. **\$175.00 ea.**
- 1350563** Left front, tinted. 1963-89 Avanti. **\$175.00 ea.**
- 1351654** Clear. 1963-66 station wagon & 1963 2 & 4-door sedan. **\$32.50 ea.**
- 1351655** Tinted. 1963-66 station wagon & 1963 2 & 4-door sedan. **\$32.50 ea.**
- 1351680** Clear. 1963-64 convertible, 1963 Daytona hardtop. **\$40.00 ea.**
- 1356884** Clear. 1964-66 2 & 4-door sedan. **\$40.00 ea.**
- 1356909** Tinted. 1964 Daytona hardtop, tinted. **\$40.00 ea.**
- 1657673** Clear. Postal Zip Van. **\$25.00 ea.**

FRONT DOOR VENT WINDOW & U-CHANNEL ASSEMBLY Complete with outer frame and all weatherseal rubber



- 310702** Right side, clear glass. 1955-62 sedan & station wagon. 1955's with curved windshield. Painted frame. **\$224.50 ea.**
- 310703** Left side, clear glass. 1955-62 sedan & station wagon. 1955's with curved windshield. Painted frame. **\$224.50 ea.**
- 1347000** Right side, clear glass. 1953-58 K-body & 1962-64 G.T Hawk. **\$295.00 ea.**
- 1347003** Left side, tinted glass. 1953-58 K-body & 1962-64 G.T Hawk. **\$395.00 ea.**
- 1353330** Right side, clear glass. 1963 sedan & 1963-66 station wagons. **\$195.00 ea.**
- 1353331** Left side, clear glass. 1963 sedan & 1963-66 station wagons. **\$195.00 ea.**
- 1356900** Right side clear glass. 1964 Daytona hardtop. **\$365.00 ea.**
- 1356901** Left side, clear glass. 1964 Daytona hardtop. **\$365.00 ea.**

FRONT DOOR VENT WINDOW Includes Glass, Upper Pivot, When applicable, Lower Pivots & Locking handle.



- 298912X1** Right side, clear glass. 1953-55 sedan & station wagon. 1955's without wraparound windshield. Painted frame. **\$95.00 ea.**
- 298912X2** Right side, clear glass. 1953-55 sedan & station wagon. 1955's without wraparound windshield. Chrome frame. **\$115.00 ea.**
- 298913X1** Left side, clear glass. 1953-55 sedan & station wagons. 1955's without wraparound windshield. Painted frame. **\$95.00 ea.**
- 298913X2** Left side, clear glass. 1953-55 sedan & station wagon. 1955's without wraparound windshield. Chrome frame. **\$115.00 ea.**
- 298915X1** Left side, tinted glass. 1953-55 sedan & station wagon without wraparound windshield. Black painted frame. **\$95.00 ea.**
- 303370X1** Right side, clear glass. 1953-61 coupe. Painted frame. **\$160.00 ea.**
- 303372X1** Right side, tinted glass. 1953-61 coupe. Painted frame. Limited availability. **\$175.00 ea.**
- 310704X1** Right side, clear glass. 1955-62 sedan & station wagon, 1960-64 T-cab truck. Painted frame. **\$95.00 ea.**
- 310705X1** Left side, clear glass. 1955-62 sedan & station wagon, 1960-64 T-cab truck. Painted frame. **\$95.00 ea.**
- 310707X1** Left side, tinted glass. 1955-62 sedan & station wagon, 1960-64 T-cab truck. Painted frame. **\$105.00 ea.**
- 1332400** Right side, clear glass. 1959-62 convertible & hardtop. **\$140.00 ea.**
- 1332401** Left side, clear glass. 1959-62 convertible & hardtop. **\$140.00 ea.**
- 1352655** Left side, clear glass. 1963 Daytona hardtop & 1963-64 convertible. **\$140.00 ea.**
- 1353334** Right side, clear glass. 1963 2 & 4-door sedan & 1963-66 station wagon. **\$95.00 ea.**
- 1353335** Left side, clear glass. 1963 2 & 4-door sedan & 1963-66 station wagon. **\$95.00 ea.**
- 1353336** Right side, tinted glass. 1963 2 & 4-door sedan & 1963-66 station wagon. **\$95.00 ea.**
- 1356880** Right side, clear glass. 1964-66 2 door & 4 door sedan. **\$95.00 ea.**
- 1356904** Right side, clear glass. 1964 Daytona hardtop. Limited availability. **\$140.00 ea.**



1463X1 Spring washer, vent window handle to bracket. All 1947-66 car & truck except as mentioned below. **\$1.00 ea.**

1463X12 Spring washer, vent window handle to bracket.

All 1958-64 hardtop & convertible, 1963-66 sedan & wagon. **\$1.00 ea.**

265709 Pin, vent window handle to bracket. All 1947-66 car & truck. **\$2.00 ea.**

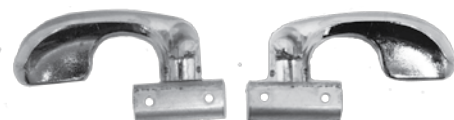
265879W Rivet, top upper pivot bracket to top lower pivot bracket. All 1947-58 car except K-body hardtop & Hawk. **\$2.00 ea.**

268428 Screw, rear door vent window upper pivot. 1947-58 Land Cruiser & long wheelbase sedan. **\$4.50 ea.**



Bracket for upper vent window pivot. All 1947-52 car except convertible & hardtop. Also fits 1949-64 C-cab truck.

268487 Right. **\$12.00 ea.**
268488 Left. **\$12.00 ea.**



Vent window handle & bracket. 1941-64 M-series & C-cab truck.

281910 Right. **\$75.00 ea.**
281911 Left. **\$75.00 ea.**

Vent window lower pivot. Early 1947 car except convertible.

284596 Right. **\$12.00 ea.**
284597 Left. **\$12.00 ea.**
284599 Bracket, vent window locking handle. Front doors only. 1947-52 car. **\$9.50 ea.**



Right rear door vent window lower pivot. 1947-52 Land Cruiser:

286291 Right. **\$10.90 ea.**
286292 Left. **\$10.90 ea.**



Handle. 1947-48 sedan, 1947-49 Convertible & all 1941-64 truck.

287974W Right. **\$35.00 ea.**
287975W Left. **\$35.00 ea.**



288584 Spring, lower vent window pivot. 1947-52 car. **\$6.95 ea.**

VENT WINDOW HARDWARE

288585 Nut, lower pivot 1947-52.
.....\$1.00 ea.

288586 Washer, lower pivot 1947-52.\$4.50 ea.

288588 Left front vent window lower pivot. Late 1947 thru 1952 closed cars.No Stock

Vent window handle, rear door on 1949-52 Land Cruiser or right front on 1949-52



convertible & Hawk & coupe 1953-64.

290296W Right\$25.00 ea.

290297W Left\$25.00 ea.

290356 Handle. Vent window bracket & shaft. 1949-52 closed cars.\$9.50 ea.



290661W Left upper pivot lower chrome bracket. Goes on window frame. Late 1949-52 convertible.\$19.00 ea.

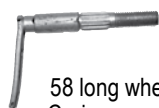
290662W Bracket, right vent window. Upper. Goes on outer frame. 1949-52 convertible & hardtop. Chrome.\$19.00 ea.

Vent window lower pivot. 1951-52 convertible and hardtop. Also 1953-64 K - hardtop.



290688 Right...\$19.00 ea.

290689 Left.....\$19.00 ea.



298582 Rear vent window lower pivot, right or left. 1953-58 long wheelbase sedan & 1961 Cruiser\$12.50 ea.

Chrome bracket for pivot on upper vent window frame, right side on 1953-61 C-body coupe



298908W Right\$9.00 ea.

298909W Left\$9.00 ea.

Vent window upper pivot. 1953-55 sedan without wraparound windshield & 1953-61 C-body coupe

298910 Right\$9.00 ea.

298911 Left.....\$9.00 ea.



Vent window lower pivot. 1953-55 sedan without wraparound windshield.

298920 Right

298921 Left\$12.00 ea.

Vent window handle & bracket. 1953-61 coupe. Also used on rear door, vent window on 1961-62 Cruiser.



298922X2 Right\$60.00 ea.

298923X2 Left\$60.00 ea.

Vent window lower pivot. 1953-61 C-body coupe.

303366 Right.....\$12.00 ea.

303367 Left\$12.00 ea.

Upper door, upper pivots. 1953-64 K-body hardtop and Hawk. Used on outer vent window frame.

304000W Right\$22.50 ea.

304001W Left\$22.50 ea.

Upper bracket, vent window. 1953-64 K-body. On vent window outer frame. Chrome.

304002W Right\$22.50 ea.

304003W Left\$22.50 ea.

304294 Upper pivot screw. 1953-64 K-body, right or left. Used to install vent window frame.\$8.50 ea.

Vent window lower pivot. 1955-62 sedan & wagon. 1955 with wraparound windshield.

310718 Right.....\$12.50 ea.

310719 Left\$12.00 ea.

Upper pivot bracket, front vent window. 1955-62 sedan & wagon.

1955 with wrap around windshield.

310720W Right.....\$14.50 ea.

310721W Left\$14.50 ea.

Upper pivot, vent window. 1955-62 sedan & wagon. 1955 with wraparound windshield.



310740 Right.....\$8.50 ea.

310741 Left\$8.50 ea.



Vent window handle and bracket. 1958-64 hardtop & convertible, 1963-66 sedan & wagon.

1328470 Right.....\$42.00 ea.

1328471 Left\$42.00 ea.

vent window handle. 1963-64 Avanti.



1328478W Right\$32.00 ea.

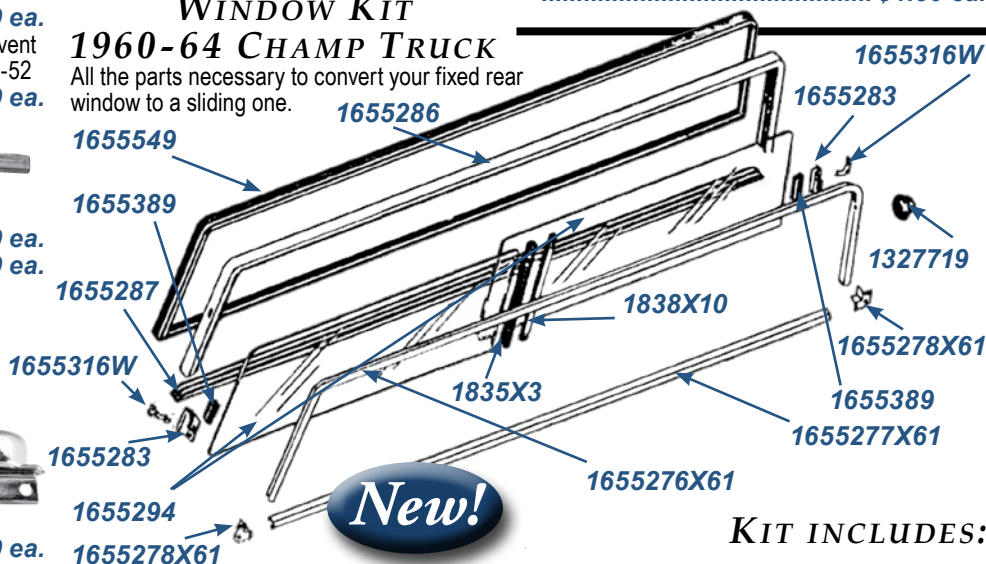
1328479W Left\$32.00 ea.

1338866 Upper pivot screw. 1958-62 hardtop & convertible. Right or left side.\$4.50 ea.

SLIDING REAR WINDOW KIT

1960-64 CHAMP TRUCK

All the parts necessary to convert your fixed rear window to a sliding one.



1655294 (2) Clear glass\$100.00 pr.
1655549 (1) Weatherseal
1655286 (1) Run channel upper
1655287 (1) Run channel lower\$190.00/ set
1838X3 (1) Chrome division channel\$20.00 ea.

1835X10 (1) Division seal\$8.00 ea.
1655283 (2) Handle.....\$12.00 ea.
1327719 (2) Bumper.....\$2.00 ea.
1655389 (2) Cushion\$3.00 ea.
1655316W (1) Catch\$10.00 ea.
1655276X61 (1) Moulding.....\$45.00 ea.
1655277X61 (1) Moulding.....\$30.00 ea.
1655278X61 (2) Corner moulding \$12.50 ea.

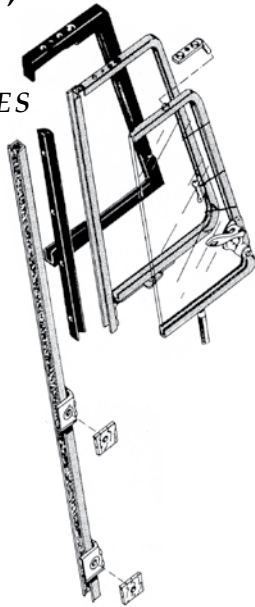
Total of parts if purchased separately472.00

802297 Your Special Kit Price.....425.00 /kit

From Pawling, New York, Joe & Hilda Benncasso's 1954 Truck



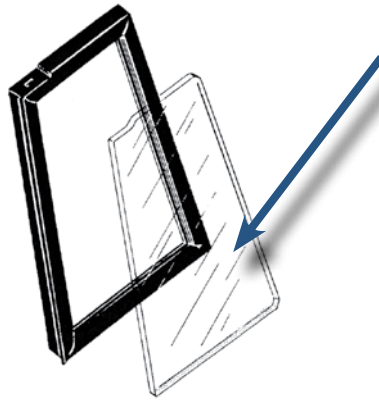
REAR DOOR VENT WINDOWS, CHANNELS, & OUTER FRAME ASSEMBLIES



*Vent window only

- *299182 Right rear, vent window. 1953-61 long wheelbase sedan. Clear glass. **\$120.00 ea.**
- *299183 Left rear, vent window. 1953-61 long wheelbase sedan. Clear glass. **\$130.00 ea.**
- *299184 Right rear, vent window. 1953-61 Land Cruiser, President Classic, & Cruiser. Tinted glass. **\$145.00 ea.**
- *1320701 Left rear, vent window. 1957-58 4-door station wagon. Clear glass. **\$130.00 ea.**
- *1342286 Right rear, vent window. 1962 Cruiser. Clear glass. **\$130.00 ea.**
- *1342287 Left rear, vent window. 1962 Cruiser. Clear glass. **\$130.00 ea.**
- *1342288 Left rear, vent window. 1962 Cruiser. Tinted glass. **\$140.00 ea.**
- *1351700 Right rear, vent window. 1963 Cruiser. Clear glass. **\$120.00 ea.**
- *1351701 Left rear, vent window. 1963 Cruiser. Clear glass. **\$120.00 ea.**
- *1351702 Right rear, vent window. 1963 Cruiser. Tinted glass. **\$130.00 ea.**
- 1351703 Left rear, vent window assembly. Includes window, outer frame, and rubber. 1963 Cruiser. Tinted glass. **\$260.00 ea.**
- 1351791 Left rear, outer frame & channel only, glass not included. 1963 Cruiser. **\$130.00 ea.**
- 1352640 Right rear, vent window assembly. 1963 Cruiser. Clear glass. **\$140.00 ea.**
- 1352641 Left rear, vent window assembly. 1963 Cruiser. Clear glass. **\$140.00 ea.**
- 1356950 Right side, ventilator and outer frame assembly. Includes window, outer frame, and rubber. 1964-66 Cruiser. Clear glass. **\$265.00 ea.**
- 1356951 Left side, ventilator and outer frame assembly. Includes window, outer frame, and rubber. 1964-66 Cruiser. Clear glass. **\$265.00 ea.**
- 1356953 Left side, ventilator and outer frame assembly. Includes window, outer frame, and rubber. 1964-66 Cruiser. Tinted glass. **\$265.00 ea.**

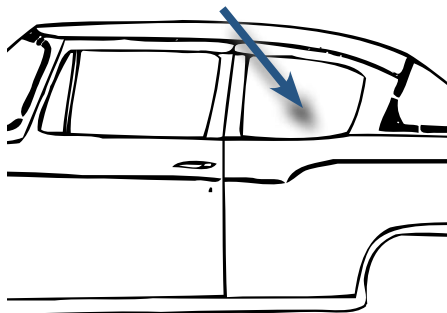
REAR DOOR VENT WINDOW GLASS (Glass only)



- 1339030 Clear glass. 1961 Cruiser. Limited availability. **\$35.00 ea.**
- 1342298 Clear glass. 1962 Cruiser. **\$35.00 ea.**
- 1343998 Clear glass. 1962 taxi. Limited availability. **\$35.00 ea.**
- 1343999 Tinted glass. 1962 taxi. Limited availability. **\$35.00 ea.**
- 1351710 Clear glass. 1963 Cruiser. Limited availability. **\$35.00 ea.**
- 1351711 Tinted glass. 1963 Cruiser. Limited availability. **\$35.00 ea.**
- 1353516 Clear glass. 1963 4 door sedan. For cars with stationary glass. **\$35.00 ea.**
- 1353517 Tinted glass. 1963 4 door sedan. Limited availability. **\$35.00 ea.**
- 1353518 Clear glass. 1963-66 station wagon. **\$35.00 ea.**
- 1356959 Tinted glass. 1964-66 Cruiser. **\$35.00 ea.**

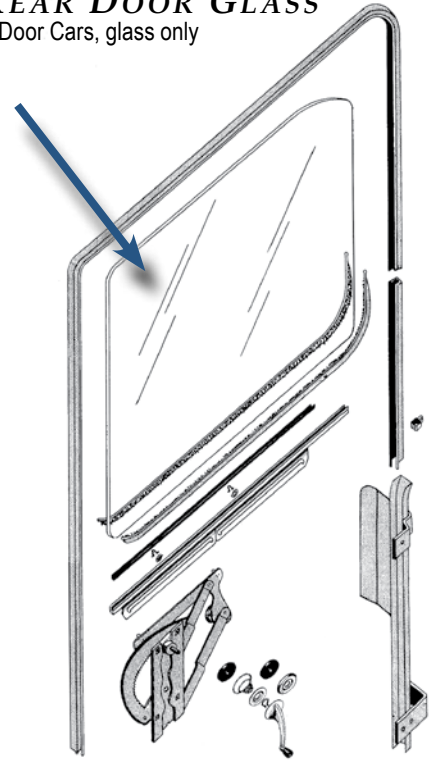
REAR SIDE GLASS

2-Door Sedan



- 1331214 Clear. 1959-62. **\$45.00 ea.**
- 1331215 Tinted. 1959-62. **\$45.00 ea.**
- 1353380 Clear. 1963. **\$45.00 ea.**
- 1353381 Tinted. 1963. Limited availability. **\$45.00 ea.**
- 1356649 Tinted. 1964-66 all. Limited availability. **\$45.00 ea.**

REAR DOOR GLASS 4-Door Cars, glass only

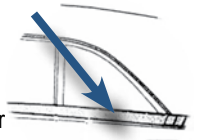


- 1320750 Clear. 1957-58 4 door station wagon. Limited availability. **\$45.00 ea.**
- 1320751 Tinted. 1957-58 4 door station wagon. Limited availability. **\$45.00 ea.**
- 1322506 Clear. 1959-60 4 door Lark. Limited availability. **\$45.00 ea.**
- 1331212 Clear. 1959-61 long wheelbase car, 1962 Lark & Cruiser Y-8 long wheelbase. **\$45.00 ea.**
- 1331213 Tinted. 1959-61 long base car, 1962 Lark & Cruiser Y-8 long wheelbase. **\$45.00 ea.**
- 1336290 Clear. 1960-62 station wagon. **\$45.00 ea.**
- 1338774 Clear. 1961 Lark 4-door sedan. Limited availability. **\$45.00 ea.**
- 1338775 Tinted. 1961 Lark 4-door sedan. Limited availability. **\$45.00 ea.**
- *1342452 Clear. 1962 Lark, long wheelbase. **\$45.00 ea.**
- 1352636 Clear. 1963 sedan. **\$45.00 ea.**
- 1352637 Tinted. 1963 sedan. (Limited availability) **\$45.00 ea.**
- 1352639 Tinted. 1963-66 station wagon. **\$45.00 ea.**
- 1358212 Clear. 1964-66 4 door sedan. Limited availability. **\$45.00 ea.**

* 1962 Y-4 Deluxe, Y-6 Regal
Note: Ask about any not listed.

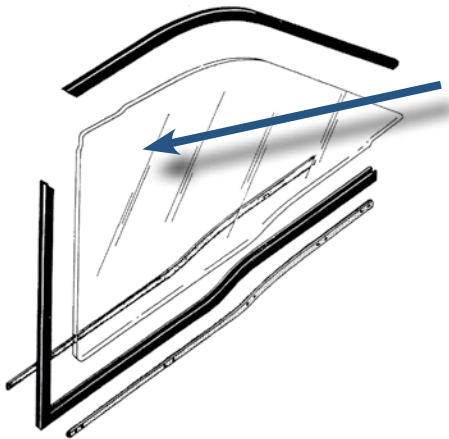
1952 HARDTOP MOULDING

- 295945 Left rear quarter window outer moulding. Fits on driver's door next to rear quarter window. NOS. **\$89.95 ea.**



REAR QUARTER WINDOW GLASS

Hardtops, Convertibles, C-body Coupes & Avanti - Glass only



- 303047** Tinted. 1953-58 C-coupe. **\$35.00 ea.**
- 303714** Clear. 1953-58 K-body hardtop. **\$25.00 ea.**
- 1331216** Clear. 1959-61 C-body coupe. **\$35.00 ea.**
- 1331217** Tinted. 1959-61 C-body coupe. Limited availability. **\$35.00 ea.**
- 1331219** Tinted. 1959-60 J-body hardtop. Limited availability. **\$35.00 ea.**
- 1336374** Clear. 1960-61 convertible. Limited availability. **\$35.00 ea.**
- 1338644** Clear. 1961 J-body hardtop. Limited availability. **\$35.00 ea.**
- 1342844** Clear. 1962-63 J-body hardtop. **\$35.00 ea.**
- 1342870** Clear. 1962-64 convertible. Limited availability. **\$35.00 ea.**
- 1350700** Right rear, clear. 1963-89 Avanti. **\$260.00 ea.**
- 1350702** Right rear, tinted. 1963-89 Avanti. **\$260.00 ea.**
- 1350703** Left rear, tinted. 1963-89 Avanti. **\$260.00 ea.**
- 1358464** Clear. 1964 Daytona hardtop. Limited availability. **\$35.00 ea.**
- 1358465** Tinted. 1964 Daytona hardtop. Limited availability. **\$35.00 ea.**

REAR QUARTER WINDOW SPRING



- 303662** Spring, rear quarter window pull-back. 1953-58 K-body hardtop. **\$12.50 ea.**

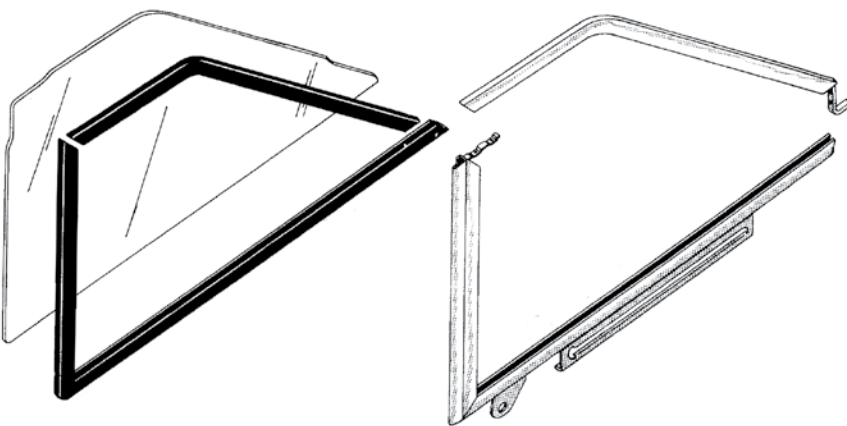
CHROME HINGE



- 1351068-9** Rear quarter window hinge. coupe & 1963-88 Avanti. Enough for one window. **\$18.00 pr.**

REAR QUARTER WINDOW & FRAME ASSEMBLIES

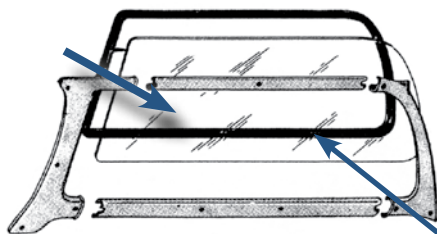
Hardtops, Convertibles, C-body Coupes & Avanti



- 303655** Left, clear glass. 1953-58 K-body hardtop. **\$160.00 ea.**
- 303658** Right, tinted glass. 1953-58 K-body hardtop. **\$175.00 ea.**
- 303659** Left, tinted glass. 1953-58 K-body hardtop. **\$175.00 ea.**
- 304642** Right, clear glass. 1953-61 C-body coupe. Black painted frame. **\$160.00 ea.**
- 304643** Left, clear glass. 1953-61 C-body coupe. Black painted frame. **\$160.00 ea.**
- 304646** Right, clear glass. 1953-61 C-body coupe. Chrome frame. **\$175.00 ea.**
- 304647** Left, clear glass. 1953-61 C-body coupe. Chrome frame. **\$175.00 ea.**
- 304649** Left, tinted glass. 1953-61 C-body coupe. Chrome frame. **\$195.00 ea.**
- 1327050** Right, clear glass. 1958 J-body hardtop. **\$175.00 ea.**
- 1327052** Right, tinted glass. 1958 J-body hardtop. **\$195.00 ea.**
- 1327053** Left, tinted glass. 1958 J-body hardtop. **\$195.00 ea.**
- 1332355** Left, clear glass. 1959-60 Lark hardtop. **\$175.00 ea.**
- 1332356** Right, tinted glass. 1959-60 Lark hardtop. **\$195.00 ea.**
- 1336350** Right, clear glass. 1960-61 convertible. **\$175.00 ea.**
- 1336351** Left, clear glass. 1960-61 convertible. **\$175.00 ea.**
- 1338630** Right, clear glass. 1961 Lark hardtop. **\$175.00 ea.**
- 1338631** Left, clear glass. 1961 Lark hardtop. **\$175.00 ea.**
- 1338632** Right, tinted glass. 1961 Lark hardtop. **\$195.00 ea.**
- 1338633** Left, tinted glass. 1961 Lark hardtop. **\$195.00 ea.**
- 1342826** Right, clear glass. 1962-63 Lark & Daytona hardtop. **\$175.00 ea.**
- 1342827** Left, clear glass. 1962-63 Lark & Daytona hardtop. **\$175.00 ea.**
- 1342829** Left side with tinted glass. 1962-63 Lark & Daytona hardtop. **\$195.00 ea.**
- 1342852** Right, clear glass. 1962-64 convertible. **\$195.00 ea.**
- 1342853** Left, clear glass. 1962-64 convertible. **\$195.00 ea.**
- 1343630** Right, clear glass. 1962-64 G.T. Hawk. **\$195.00 ea.**
- 1343631** Left, clear glass. 1962-64 G.T. Hawk. **\$195.00 ea.**
- 1350680** Right, clear glass. 1963 Avanti. **\$430.00 ea.**
- 1350682** Right, tinted glass. 1963 Avanti. **\$500.00 ea.**
- 1350683** Left, tinted glass. 1963 Avanti. **\$500.00 ea.**
- 1358450** Right, clear glass. 1964 Daytona hardtop. **\$175.00 ea.**
- 1358451** Left, clear glass. 1964 Daytona hardtop. **\$175.00 ea.**
- 1358452** Right, tinted glass. 1964 Daytona hardtop. **\$195.00 ea.**
- 1358453** Left, tinted glass. 1964 Daytona hardtop. **\$195.00 ea.**
- 1358930** Right, clear glass. 1964 Avanti. **\$430.00 ea.**

STATION WAGON REAR QUARTER GLASS - Glass only

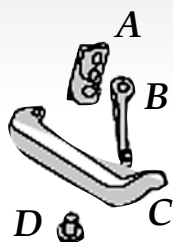
- 1336184** Clear. 1960-62 4-door station wagon. **\$90.00 ea.**
- 1336185** Rear side glass, tinted. 1960-62 4-door station wagon. **\$95.00 ea.**
- 1353390** Clear. 1963-66 all. **\$100.00 ea.**
- 1353391** Tinted. 1963-66 all. **\$125.00 ea.**



- 1322512** Rear side glass rear, right or left. 1959 all. Clear. **\$60.00 ea.**
- 1336124** Rear side glass front. 1960-62 2-door station wagon. Clear. **\$60.00 ea.**
- 1336125** Rear side glass front. Tinted. 1960-62 2-door station wagon. **\$60.00 ea.**

Note: New rear quarter glass seals for station wagons, see page 82

AVANTI REAR QUARTER WINDOW PARTS

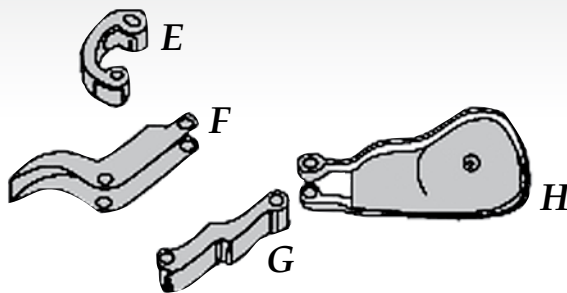


Rear quarter window parts before 1963 serial 4897.

- G454666** Pin, handle to link. **75¢ ea.**
- (A) **1350464W** Bracket, right latch handle. Brass. **\$22.50 ea.**
- (A) **1350465W** Bracket, left latch handle. Brass. **\$22.50 ea.**
- (B) **1350462W** Link, handle to bracket. **\$12.50 ea.**
- (C) **1350460W** Handle, right latch. **\$25.00 ea.**
- (C) **1350461W** Handle, left latch. **\$25.00 ea.**



- (D) **1350463** Screw, bracket to link. **\$4.95 ea.**

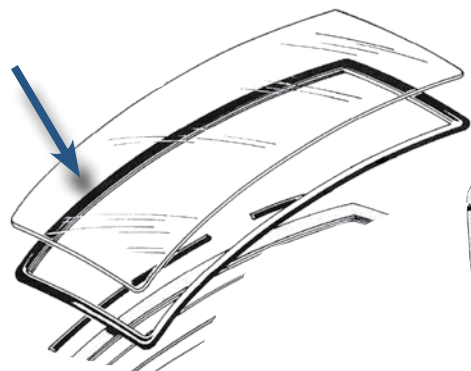


Rear quarter window parts after serial 4897 to 1987.

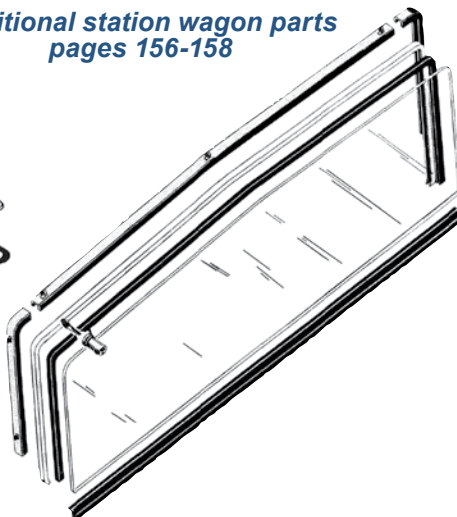
- G454573** Pin, link to latch bracket. **75¢ ea.**
- G9413436** Pin, handle to link. **75¢ ea.**
- (E) **1358942W** U-link, handle to frame. **\$15.00 ea.**
- (F) **1358946W** Handle, right latch. **\$25.00 ea.**
- (F) **1358947W** Handle, left latch. **\$25.00 ea.**
- (G) **1358943W** Link, handle to bracket. **\$12.50 ea.**
- (H) **1358044** Escutcheon, right latch handle. **\$30.00 ea.**
- (H) **1358045** Escutcheon, left latch handle. **\$30.00 ea.**

STATION WAGON TAILGATE GLASS

Additional station wagon parts pages 156-158



- 305218** Clear. 1954-59 all. **\$225.00 ea.**
- 1334332** Clear. 1962 all. Includes frame. **\$350.00 ea.**
- 1334334** Tinted. 1962 all. Includes frame. **\$325.00 ea.**
- 1336177** Tinted. 1960-61 all. **\$245.00 ea.**
- 1336600** Upper tailgate assembly with clear glass & frame. 1960-61 all. **\$425.00 ea.**
- 1336601** Upper tailgate assembly with tinted glass & frame. 1960-61 all. **\$435.00 ea.**



- 1343227** Tinted. 1962. **\$245.00 ea.**
- 1353346** Includes frame, clear. 1963-66 with sliding roof. **\$375.00 ea.**
- 1353347** Includes frame, tinted. 1963-66, with sliding roof. **\$395.00 ea.**
- 1355408** Clear. 1963-66, without sliding roof. **\$235.00 ea.**
- 1355409** Tinted. 1963-66, without sliding roof. **\$245.00 ea.**

WINDSHIELD WIPER BLADES



- S-616** 7.5". Some early models. Chrome. **\$10.00 ea.**
- S-617** 8.25". 1932-38 car, all models. Chrome. Not available
- S-618** 9". 1939 Commander & President & 1941-46 Champion. Truck: 41-48 M-series. **\$10.00 ea.**
- S-619** 10". 1940-42 Commander & President. **\$10.00 ea.**
- 292387** 10". 1947-52 car, all models. Truck: 1949-64 C-cab. Replacement non-glare. **\$18.50 ea.**
- 292387B** Same as above except Original style Stainless. **\$19.95 ea.**
- 296915X2** 11". 1953-55 car, all models. Replacement non-glare. **\$15.50 ea.**
- 296915X2B** Same as above except Original style Stainless. **\$19.95 ea.**
- 1314810B** 12". 1956-62 car all models, 1956-64 Hawk. Truck: 1960-64 Champ. Original style Stainless. **\$19.95 ea.**
- 1351034** 15". 1963-66 Lark & 1963-85 Avanti. Replacement non-glare. **\$13.50 ea.**
- 1351034X1** 15". 1963-91 Avanti. Non-glare. Metal. **\$25.00 ea.**
- 1657102** Zip Van. **\$25.00 ea.**

WINDSHIELD WIPER ARMS



- 285722** Right. 1947-52 car. **\$25.00 ea.**
- 285723** Left. 1947-52 car. **\$25.00 ea.**
- 652734** Right. 1954-64 C-cab truck. **\$25.00 ea.**
- 652735** Left. 1954-64 C-cab truck. **\$25.00 ea.**
- 1314802** Right. 1956-64 C & K. Includes Hawk. Will also work on 1953-55 cars when 12" blades are used. **\$25.00 ea.**
- 1314803** Left. 1956-64 C & K. Includes Hawk. Will also work on 1953-55 cars when 12" blades are used. **\$25.00 ea.**
- 1339050** Right. 1956-62 sedan. Includes Lark. Truck: 1960-64 Champ. **\$25.00 ea.**
- 1339051** Left. 1956-62 sedan. Includes Lark. Truck: 1960-64 Champ. **\$25.00 ea.**
- 1351033** 1963-91 Avanti. Polished Stainless. **\$79.95 ea.**
- 1362012** 1963-66 Lark. Brushed Stainless finish. **\$35.00 ea.**
- 1657101** Zip Van. **\$50.00 ea.**

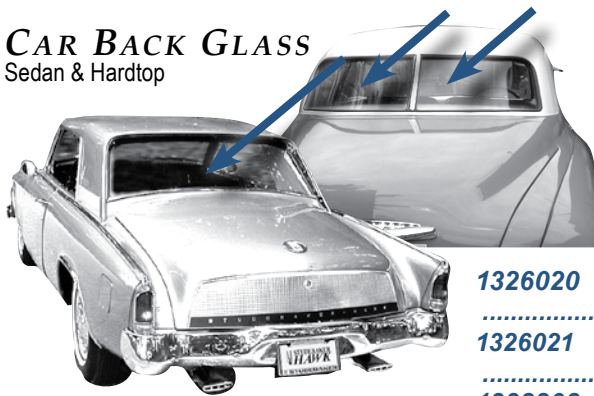
NOTE: WE HAVE SOME UNIDENTIFIED PRE-WAR WIPER ARMS, PLEASE SEND IN YOUR OLD ONES TO MATCH.



From Minatare, Nebraska, Perry Meyers' 1942 M16 tow truck. Now that's the kind of help Studebaker drivers want to see when stuck on the side of the road!

CAR BACK GLASS

Sedan & Hardtop



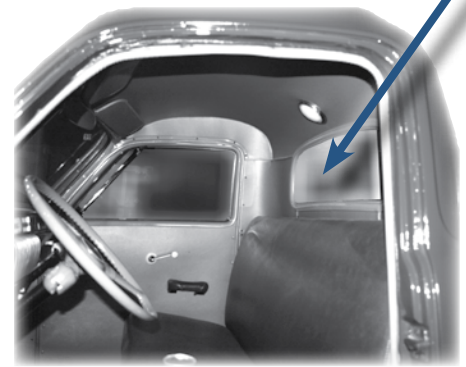
- 284116** Right, clear. 1947-50 sedan and Land Cruiser. **\$160.00 ea.**
284116X1 Right, tinted. 1947-50 sedan and Land Cruiser. **\$163.30 ea.**
284117 Left, clear. 1947-50 sedan and Land Cruiser. **\$160.00 ea.**
284117X1 Left, tinted. 1947-50 sedan and Land Cruiser. **\$163.30 ea.**
284951 Right, clear. 1947-52 Starlight coupe. **\$160.00 ea.**
284951X1 Right, tinted. 1947-52 Starlight coupe. **\$163.30 ea.**
284952 Left, clear. 1947-52 Starlight coupe. **\$160.00 ea.**
284952X1 Left, tinted. 1947-52 Starlight coupe. **\$163.30 ea.**
293009 Clear. 1951-52 sedan. **\$280.00 ea.**
293009X1 Tinted. 1951-52 sedan. **\$295.00 ea.**
296060 Right, clear. 1952 hardtop. **\$138.35 ea.**
296060X1 Right, tinted. 1952 hardtop. **\$146.65 ea.**
- We have many windshield & back glass exterior & interior garnish mouldings. Inquire..**

- 296061** Left, clear. 1952 hardtop. **\$138.35 ea.**
296061X1 Left, tinted. 1952 hardtop. **\$146.65 ea.**
296062 Center, clear. 1952 hardtop. **\$225.00 ea.**
296062X1 Center, tinted. 1952 hardtop. **\$237.00 ea.**
1326020 Clear. 1958 sedan. **\$350.00 ea.**
1326021 Tinted. 1958 sedan. **\$375.00 ea.**
1338208 Clear. 1961 Lark Cruiser. **\$350.00 ea.**
1338210 Clear. 1961 Lark except Cruiser. **\$350.00 ea.**
1338211 Tinted. 1961 Lark except Cruiser. **\$375.00 ea.**
1342590 Clear. 1962 Lark. **\$350.00 ea.**
1343627 Clear. 1962-64 Hawk. **\$350.00 ea.**
1343628 Tinted. 1962-64 Hawk. **\$367.50 ea.**
1350105 Tinted. 1963-89 Avanti. **\$550.00 ea.**
1350749 Tinted with sunshade band. 1963-89 Avanti. **\$575.00 ea.**
1352320 Clear. 1963 Lark. **\$295.00 ea.**
1352321 Tinted. 1963 Lark. **\$315.00 ea.**
1356997 Clear. 1964-66 Lark. **\$286.00 ea.**
1356998 Tinted. 1964-66 Lark. **\$296.00 ea.**

BACK GLASS REVEAL MOULDINGS Stainless

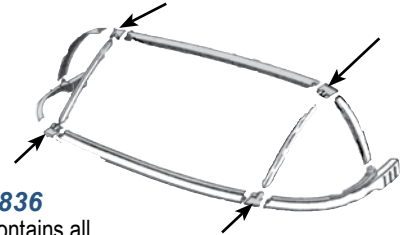
- 1360810** Avanti upper right side moulding, after Serial #4892. **\$25.00 ea.**
1360811 Avanti upper left side moulding, after Serial #4892. **\$25.00 ea.**

TRUCK BACK GLASS



- 653702** Clear. 1955-64 C-cab. **\$225.00 ea.**
653703 Tinted. 1955-64 C-cab. **\$350.00 ea.**
1655290 Sliding rear glass with handle. Right, clear. 1960-64 T-cab. **\$65.00 ea.**
1655291 Sliding rear glass with handle. Left, clear. 1960-64 T-cab. **\$65.00 ea.**
1655294 Sliding rear glass, tinted. 1960-64 T-cab. **\$50.00 ea.**

1952 HARD-TOP BACK GLASS VERTICAL DIVIDER END CAPS



- 801836** Kit contains all four chrome caps at top and bottom of divider mouldings. Original NOS. **\$75.00 set of 4**

BACK GLASS MOULDING CLIPS

- 1350472** Moulding clip. 1963-85 Avanti. **\$15.00 ea.**
1358695 Rear glass retaining clips, 1964-66 Lark. Takes 18. **\$2.00 ea.**

AVANTI WINDSHIELD POST

Windshield post, stainless.

- 1350642** Right. 1963-89. **\$75.00 ea.**
1350643 Left. 1963-89. **\$75.00 ea.**



- 1358257** Joiner, drip rail to windshield post. 1964-66 Lark, all models except wagon. **\$4.00 ea.**

Windshield weatherseals are on page 81

WINDSHIELDS - TINTED OR CLEAR GLASS

- 284528** Clear. 1947-50 Car, all with 2-piece windshield. **105.00 pr.**
284528X1 Tinted. 1947-50 Car, all with 2-piece windshield. **\$105.00 pr.**
294387 Clear. 1947-52 cars all with 1-piece windshield. **\$295.00 ea.**
296266 Tinted. 1947-52 cars all with 1-piece windshield. **\$310.00 ea.**
297525 Clear. 1953-55 sedan & wagon with straight windshield. **\$295.00 ea.**
297965 Tinted. 1953-55 sedan & wagon with straight windshield. **\$310.00 ea.**
303151 Clear. All 1953-64 C & K. Includes Hawk, coupe, & hardtop. **\$315.00 ea.**
303152 Tinted. All 1953-64 C & K. Includes Hawk, coupe, & hardtop. **\$330.00 ea.**
308010 Clear. 1955 sedan & wagon with wrap around windshield and all 1956-58 sedan & wagon. **\$390.00 ea.**
308011 Tinted. 1955 sedan & wagon with wrap around windshield and all 1956-58 sedan & wagon. **\$415.00 ea.**
652078 Clear. 1949-53 2R Truck, 2-piece. **\$105.00 pr.**
653230 Tinted. 1949-53 2R Truck, 2-piece. **\$115.00 pr.**
653421 Clear. 1954-64 C-cab truck. **\$245.00 ea.**
653422 Tinted. 1954-64 C-cab truck. **\$260.00 ea.**
1331020 Clear. 1959-60 Lark. Truck: 1960-64 T-cab truck. **\$395.00 ea.**
1331021 Tinted. 1959-60 Lark. Truck: 1960-64 T-cab truck. **\$440.00 ea.**
1338022 Clear. 1961-62 Lark. **\$395.00 ea.**
1338023 Tinted. 1961-62 Lark. **\$415.00 ea.**
1351310 Tinted. 1963-89 Avanti. **\$310.00 ea.**
1351311 Tinted with sunshade band. 1963-89 Avanti. **\$325.00 ea.**
1352315 Clear. All 1963 Lark, 1964 convertible, & 1964-66 wagon. **\$320.00 ea.**
1352316 Tinted. All 1963 Lark, 1964 convertible, & 1964-66 wagon. **\$335.00 ea.**

NOTE: Please remember shipping rates will vary according to distance.

WINDSHIELD WASHER KITS

Kits Includes:

- RESERVOIR BAG W/CAP
- NOZZLE
- PUMP
- HOSES
- BAG BRACKET
- INSTALLATION INSTRUCTIONS & TEMPLATE



AC-2499 1953-55 car all models. Includes all parts listed above plus valves. **\$175.00/kit**

NEW Listing - AC-3110 1961-62 Lark. **\$180.00/kit**

NEW Listing - AC-3110X 1963-64 Lark. **\$180.00/kit**

WINDSHIELD WASHER KIT FOR 1956-64 C & K with 1323655 battery bracket

- (2) G163234 PUMP MOUNTING SCREW
- (1) 526600X4 CLIP, HOSE TO CHASSIS CABLES
- (1) 533756X1 WASHER BAG
- (1) 535554 BAG FILTER
- (1) 1540398 BAG BRACKET
- * (1) 1540400 HOSE, VALVE TO PUMP
- (1) 1540412 HOSE VALVE TO TEE
- (2) 1540417 NOZZLE
- (2) 1540418 NOZZLE WASHER
- (2) 1540419 NOZZLE GASKET
- (1) 1540422 HOSE, LEFT NOZZLE TO TEE
- (1) 1545092 BAG HANGER
- (1) 1548953 HOSE, RIGHT NOZZLE TO TEE
- (1) 1552798 PUMP
- (1) 1552800 BAG HOSE
- (1) 1552815 VALVE
- (1) 1552816 HOSE TEE
- (1) 1558133 CHECK VALVE
- (1) 1558140 BAG CAP
- (1) 1559315 INSTALLATION INSTRUCTIONS & TEMPLATES

NEW Listing - AC-3396 **\$189.00/kit**

SAVE MONEY BUY A KIT!

WINDSHIELD WASHER HOSES



- 801692** Hose, 5/32" **75¢ ft.**
- 801693** Hose, 1/4" **75¢ ft.**
- 801786** Hose, 3/32" **75¢ ft.**
- 801787** Hose, 1/8" **75¢ ft.**
- 801850** Hose, 9/32" **75¢ ft.**
- 802282** Hose, 7/64" **75¢ ft.**

WINDSHIELD WASHER KIT FOR 1956-60 SEDAN with 1339477 battery bracket & 1956-64 C & K with 1312971P battery bracket

- (1) 1552798 PUMP
- (2) G163234 PUMP MOUNTING SCREW
- (1) 533756X1 WASHER BAG
- (1) 1558140 BAG CAP
- (1) 1552800 BAG HOSE
- (1) 535554 BAG FILTER
- (1) 1548430 BAG BRACKET

- (1) 1552815 VALVE
- (1) G177999 BAG BRACKET TO DASH SCREW
- (2) 1540417 NOZZLE
- (2) 1540418 NOZZLE WASHER
- (2) 1540419 NOZZLE GASKET
- (1) INSTALLATION INSTRUCTIONS & TEMPLATES

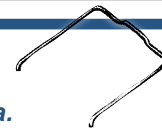
NEW Listing - AC-2942 **\$189.00/kit**

WINDSHIELD WASHER PARTS

531892 Nozzle, 1947-55 Chrome NOS. **\$35.00 ea.**



1545092 Hanger for washer bag, 1958 sedan & 1958-64 C & K. **\$10.00 ea.**



NOTE: USE WITH 1323655 BATTERY BRACKET. SEE PAGE 223.



1552815 Valve. Fits on cap on top of washer bag. Fits some Lark 1961 and all 1962-66, 1963-64 Hawk & Avanti. **\$28.50 ea.**

1552817 Nozzle. 1961-62 Lark. Takes 2. **\$15.50 ea.**

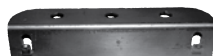


*FOR CORRECT CAP, STATE YEAR & MODEL OF VEHICLE.

533756* Washer bag. 1953-60 all models & C & K 1961-62. Cap included. **\$38.00 ea.**

533756X1* Washer bag. 1963-Early 70's Avanti. All models with valve screwed into cap. Cap included. **\$38.00 ea.**

533761 Cap on water bag. For models without valve on cap. **\$3.95 ea.**



535553 Bag Bracket. 1950-64 all models equipped with

(1) 285758 or (2) 1312971P battery brackets. **\$25.00 ea.**

535554 Filter. Fits on bottom of pickup hose. **\$4.50 ea.**



800581 Bag bracket. Replacement will work on most models. **\$12.50 ea.**



1540398 Bag Bracket. 1956-58 sedan & 1956-64 C & K. Corrosion free stainless steel. **\$22.00 ea.**



NOTE: USE WITH 1545092 HANGER & 1323655 BATTERY BRACKET. SEE PAGE 223.

1540414 "T" fitting. 1956-61-all, 1962-64 Hawk. NOS. **\$3.50 ea.**



1540417 Nozzle. 1956-60 car, all models. 1961-64 Hawk. Truck: 1960-64 Champ. **\$18.50 ea.**



1552798 Foot pump. For models with one hose outlet, including Avanti. **\$65.00 ea.**



1558137 Foot pump, switch & cable. 1963-early '70's Avanti. **\$90.00 ea.**

1558140 Cap, on water bag. For models with valve on cap. **\$3.95 ea.**



1558968 Nozzle. 1963-66 Lark. Takes 2... **\$15.50 ea.**



1559267 Switch & cable assembly for electric washer. 1963-66 Lark & Hawk. **\$35.00 ea.**



1559268 Foot pump, switch & cable one hose outlet. 1963-66 Lark & 1963-64 Hawk. **\$80.00 ea.**

