



From New Port Richey, Florida,
John Steben's 1960 Lark

FUEL SECTION GLOSSARY

Gas Filler Parts 184-185
Pumps, Sending Units185
Pump Related Parts185
Carburetors & Related Parts..... 186-187
Air Cleaners & Related Parts.....188
Supercharger Related Parts 188-189
Gas Pedals & Related Parts189
Throttle & Clutch Related Parts190



From Lake Isabella, California,
John & Paula LeFevre's
Studebaker Champ truck
and their 1961 Lark station wagon



Gas Filler Parts

261419 Filler lid bumper. 1940-64 car, all models with external gas lid except Avanti. Takes 2.\$2.00 ea.

272078 Filler neck grommet. 1939-46 Champion, 1954-59 station wagon and all model trucks 1947 & later Exact to match original.\$15.00 ea.

285120-1 Springs, gas lid. 1947-55 all models, 1956 station wagon, and 1956-64 Hawk. \$15.50 pr.

286647 Filler neck grommet. 1947-54 car all models.....\$15.00 ea.

289526 Door, gas lid. 1950-52 Champion & Commander\$35.00 ea.

299081 Hinge, gas lid door. 1953-55 sedan.\$18.50 ea.

531581 Gas filler hose. 1950-57 car, all models. 1958 sedans.24.00 ea.

652750 Floorboard filler pipe grommet. Truck: 1949-64 all models.\$35.00 ea.

681425 Filler to tank hose. Truck:1949-64 all models.\$35.00 ea.

681426 Gas Filler pipe. Truck:1949-64 all models. Pictured above.\$45.00 ea.

1314750 Hinge, gas filler door. 1956-58 sedan....\$18.50 ea.

1314754-5 Springs, gas lid. 1956-58 sedan. Takes 1 of each. \$18.00 pr.

1323180 Gas door. 1957 Packard.\$35.00 ea.
1326485 Gas door. 1958 sedan.\$35.00 ea.
1326488 Gas door. 1958 Packard sedan.\$35.00 ea.
1331524 Gas door. 1959-61 Lark sedan.\$30.00 ea.

1342577 Trunk pipe filler grommet. 1962-66 Lark.....\$8.00 ea.

1350604 Spring, gas lid. 1963-89 Avanti.....\$6.00 ea.

1350997 Gas lid rubber bumper. 1963-85 Avanti \$3.50 ea.

1544586 Gas filler hose. 1958-64 Hawk, 1959-66 station wagon.....\$22.00 ea.

1547343 Pictured below. Gas filler pipe. 1959-60 station wagon..\$36.00 ea.

1550703 Gas filler pipe. 1961-62 station wagon.\$36.00 ea.

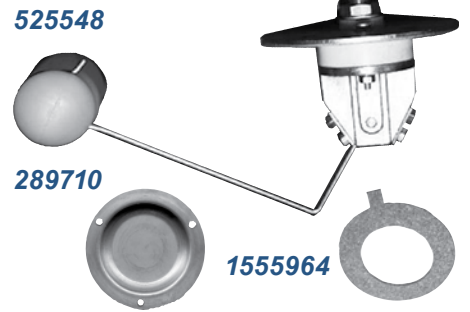
1554436 Gas filler hose. 1962-66 Lark, 1963-73 Avanti.\$15.50 ea.

1554622 Gas filler pipe. 1962-63 Lark except station wagon. \$36.00 ea.

1554674 Filler tube gasket. 1962-66 Lark and 1963-89 Avanti except convertible.\$3.50 ea.

1561053 Gas filler pipe. 1964-66 Lark except station wagon.\$36.00 ea.

1700459 Gas filler hose. 1973-89 Avanti except convertible.\$45.00 ea.



FUEL FILLER PROTECTORS

AC-2408 1953-55 sedan and station wagon without extended side mouldings. Mounting hardware included. NOS.....\$59.95 ea.



AC-2703 1953-58 sedan and station wagon with extended side mouldings except 1957 President. Mounting hardware included. NOS.\$59.95 ea.



AC-2704 Gas filler guard for all 1953-64 C & K models includes Hawk. Adds a little sparkle to the left side of your car while also protecting its finish. No drilling required. Includes mounting hardware. \$45.00 ea.

801924 Mounting hardware kit for all fuel filler protectors. Includes 2 grommets, 2 screws, and 2 retainer clips \$6.50 ea.

REPLACEMENT GAS CAPS

523821 Vented. 1928-58 all models.\$9.50 ea.

800945 Vented. 1959-61 Lark, 1959-64 Hawk Truck:1953-64 all models. . \$12.00 ea.

800946 Vented. 1951-61 Lark station wagon. 1962-66 Lark all models. \$18.00 ea.

800948 Locking & vented. 1928-61 all models and 1962-64 Hawk. Truck: most models. \$26.50 ea.

800949 Locking & vented. 1959-61 station wagon 1962-66 Lark, all models. \$31.50 ea.

GAS CAPS - NOS

NEW Listing - 1547457 1959-62 station wagon.\$38.50 ea.

1559401 1963-66 station wagon.\$38.50 ea.



FUEL SENDING UNITS & RELATED PARTS (Pictured left)

- 289710** Fuel sending unit cover. Covers hole in trunk floor. 1947-66 most models. Pictured left. **\$12.50 ea.**
- 525548** 1947-55 car, 6-volt. Includes mounting gasket. Pictured left. **\$85.00 ea.**
- 664967** 1941-48 M-Series truck. 6-volt. Includes mounting gasket. No Stock
- NEW Listing - 678026** Sending unit, 2-wire type. Fits auxiliary tank on early 2R16 and 17 trucks. Float wire is approximately 9" long. This unit will probably work on any 2-wire application. **\$85.00 ea.**
- 683974** Late 1949 - 1955 truck. 6-volt. Includes mounting gasket. **\$125.00 ea.**
- 1545004** 1958 Packard except station wagon & Hawk. 12-volt. Includes mounting gasket. **\$125.00 ea.**
- 1549575** 1958-66 car, all models except Avanti. 12-volt. Includes mounting gasket. **\$85.00 ea.**
- 1555957** 1963-85 Avanti. 12-volt. (Includes mounting gasket). **\$85.00 ea.**
- 1555964** Extra mounting gasket, all models. 16-volt. Pictured top left hand page. **\$2.50 ea.**
- 1685600** Truck 1956-64, all models. 12-volt. (Includes mounting gasket). **\$85.00 ea.**

FUEL PUMP FOR 6-CYLINDER ENGINES

Includes Mounting Gasket

- 536435** Pictured. 1955-58 Champion. **\$65.00 ea.**
- 679936** 1941 -60 Commander 6-cylinder. Single action. Rebuilt/exchange. **\$150.00 Ex.**
- 681107** 1939-54 Champion. Truck: M5, M15, M15A & 2R-2E 5, 10, 15 & 3E-4E 1, 5, 10. **\$59.00 ea.**
- 1549267** 1959-64 car, all models. **\$42.50 ea.**
- 1549342** Truck: Late 1959-64 6-cylinder Champion 1, 5, 10. **\$60.00 ea.**

NOTE: NEW OR REBUILT DUAL ACTION PUMPS AVAILABLE FOR 1948-50 CARS & 1949-53 TRUCKS. CALL FOR AVAILABILITY & PRICE.

FUEL PUMP FOR V-8 ENGINES

Includes Mounting Gasket

- 535701** 1951-54 car, all models. Truck: 3R 28, 38. Exchange. **\$210.00 Ex.**
- 1542299** 1957-58 Golden Hawk with supercharger, 1957 Packard & 1958 Packard Hawk. **\$80.00 ea.**
- 1557015** 1963-64 Lark, Hawk & Avanti with R-2 jet thrust engine. **\$175.00 ea.**
- 1557213** 1963-64 Lark, Hawk & Avanti with R-1 jet thrust engine. **\$160.00 ea.**
- 1562992** 1955-64 car all models except Avanti jet thrust. Truck: E-8E 2, 7, 12, 13, 28, 38, 40. Master. **\$60.00 ea.**

FUEL PUMP MOUNTING GASKETS

- 197389** All cars and trucks 1934 - 54. Also 6-cylinder truck 1955 - 64. **\$2.00 ea.**
- 537354** 1955-64 6-cylinder and V-8 car. Truck: 1955-64 V-8. Pictured. **\$1.50 ea.**
- NEW Listing - 1564250** 1965-66 V-8. **\$ 1.50 ea.**

FUEL PUMP FLEXIBLE LINE "BRAIDED"

- 178804** 1932 Rockne "75", 1933 Model 56 1934-36 Dictator. **\$15.50 ea.**

FUEL PUMP FLEXIBLE HOSES

- 189888** 1937-57 most models. **\$20.00 ea.**
- 535284** 1955-57 C & K except '57 Golden Hawk. **\$20.00 ea.**
- 1542892** 1957 Golden Hawk. **\$20.00 ea.**
- 1543516** 1957 Packard. **\$20.00 ea.**

ELECTRIC FUEL PUMPS



- 800249** 6 volt. **\$55.00 ea.**
- 800250** 12 volt. **\$54.00 ea.**

ELECTRIC FUEL PUMP SAFETY SWITCH

802041 Safety switch. Use with electric fuel pump to prevent gas flow if line is broken. **\$19.50 ea.**



Using an Electric Pump?

SEAL THE OPENING WITH THESE PLATES

- 801852** Cover plate. Use with electric fuel pump for all 6-cylinder and V-8 applications except 1965-66 V-8 **\$9.50 ea.**

FUEL PUMP HEAT SHIELDS

- 187748** 1938-60 Commander 6-cylinder. **\$20.00 ea.**
- 527874** 1947-54 Champion. Complete with mounting studs. **\$32.00 ea.**



FUEL FILTERS & GASKETS

- AC-2987** In-line fuel filter kit with "Studebaker Packard" logo fits most models car & truck including Avanti. Includes hoses and clamps. **\$8.00 ea.**
- 535702** Filter in fuel pump bowl. 1954 Commander. **\$16.00 ea.**
- 800778** Filter kit, on fuel pump. Includes bowl, screen & gasket. 1939-54 Champion. **\$7.00/kit**
- 1549273** Fuel pump filter bowl. 1959-64 6-cylinder. **\$8.60 ea.**



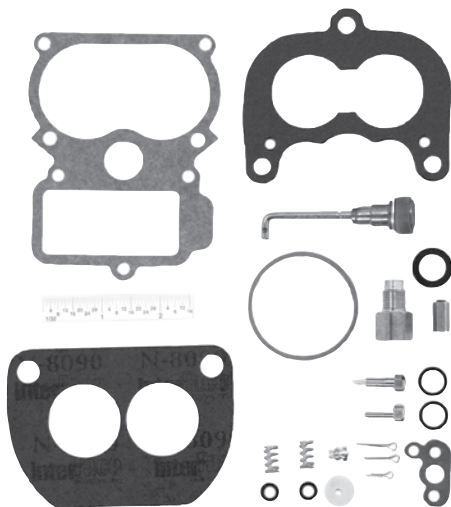
FUEL PUMP REBUILD KITS

- 523349** 1936-37 Dictator, 1938-47 Commander, M16 & M17 trucks all, and 1949 2R16 & 17 (all w/single action AC pump having flange #'s 2227 or 9067). **\$75.00/kit**
- 524390** 1948-50 Champion and Commander Truck; 2 R All. Dual action. **\$95.00/kit**
- 531918** 1951-54 V-8 & trucks 1950-60 2R-5E 3, 6, 11, 14, 16, and 17. Single action "AC" pump having flange #9415. **\$75.00/kit**
- NEW Listing - 536953** Fuel pump "diaphragm only". 1955-58 V-8 with original carter pump model M22115. **\$30.00 ea.**
- 1542877** 1957-58 Golden Hawk, 1957 Packard with supercharger. **\$75.00/kit**
- 1542878** 1955-60 all V-8 models & 1961-62 Hawk, all models with glass bowl. **\$75.00/kit**
- 1553024** 1961-62 Lark & 1963-64 all V-8 models with metal bowl. **\$75.00/kit**
- 1558925** 1963-64 Lark, Hawk & Avanti with jet thrust R-1 or R-2 engine. **\$75.00/kit**
- 1564651** 1965 - 66 6-cylinder. **\$22.50 /kit**
- NEW Listing - 1564778** Diaphragm kit, 1965 - 66 6-cylinder. **\$10.00 /kit**
- 6484039** 1956 Golden Hawk **\$75.00/kit**

PIPES, FUEL PUMP TO CARBURETOR

- 535695** 1955-58 V-8 w/o a/c. 2-BBL.
..... **\$25.00 ea.**
- 536381** 1955-58 V-8 w/o a/c. Truck: 3E-4E
2, 7, 12, 13, 28, 38, 40. 5E 13, 28, 40. 4-BBL
..... **\$25.00 ea.**
- 536466** 1955-58 Champion..... **\$15.00 ea.**
- 537528** 1955-57 V-8 with air conditioning.
2-BBL. **\$25.00 ea.**
- 537529** 1955-57 V-8 with air conditioning.
4-BBL. **\$25.00 ea.**
- 678131** Truck: 2R 6, 11, 14, 16, 17 with
governor. **\$18.00 ea.**
- 1545998** 1959 Hawk V-8. 4-BBL. with
power steering. **\$25.00 ea.**
- 1547592** 1959-60 V-8. Truck: 5E 7, 12.
4-BBL. **\$25.00 ea.**
- 1548363** 1959-60 V-8 with air conditioning.
1961-62 Hawk V-8. 2-BBL. Truck: 5E 7, 12,
13, 28,40. 2-BBL..... **\$25.00 ea.**
- 1548464** 1959 Hawk V-8. 2-BBL. with
Saginaw power steering. **\$25.00 ea.**
- 1551174** 1961-62 6-cylinder. ... **\$15.00 ea.**
- 1551240** 1961-62 Lark V-8. Truck: 6E-7E 7,
12, 13, 28, 40. 2-BBL. **\$25.00 ea.**
- 1551334** 1961-62 Lark V-8. Truck: 6E-7E 7,
12, 13, 28, 40. 4-BBL..... **\$25.00 ea.**
- 1558368** 1963-64 V-8. Truck: 8E 7, 12 .
2-BBL..... **\$25.00 ea.**
- 1558369** Truck: 8E 7, 12, 13, 28, 40.
4-BBL..... **\$25.00 ea.**
- 1558570** Truck: 8E 5, 10 without governor.
..... **\$15.00 ea.**
- 1564749** 1965 V-8. **\$25.00 ea.**
- 1564750** 1965-66 6-cylinder. ... **\$25.00 ea.**
- 1565650** 1966 V-8..... **\$25.00 ea.**


STRAIGHT 8 CARBURETOR REPAIR KITS

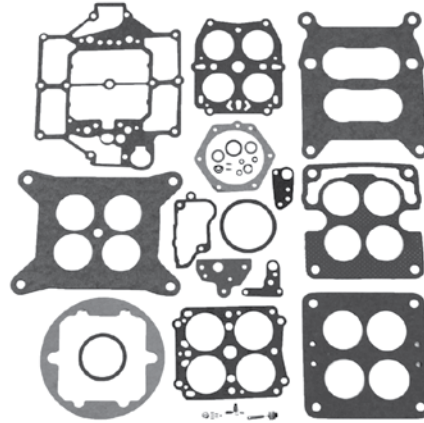


- 518619** 1935-37 car, Stromberg EE-1: 6-10,
6-50, 6-52, 6-63. **\$78.00/kit**
- 518671** 1938-42 car, Stromberg AAO-161:
6-70, 6-85, 6-97. **\$78.00/kit**
- 800396** 1940 President, Carter WDO:
409S. **\$69.00/kit**

NOTE: THESE NEW PRODUCTION REPAIR KITS CONTAIN ALL NECESSARY GASKETS INCLUDING THE BASE GASKET. MOST ALSO CONTAIN THE ACCELERATOR PUMP, FLOAT NEEDLE AND SEAT, COTTER PINS, BALL CHECK VALVES AND OTHER NECESSARY PARTS TO REBUILD EACH SPECIFIC CARBURETOR. SOME FACTORY ORIGINALS MAJOR REBUILD KITS AVAILABLE, PLEASE INQUIRE.

V-8 4-BBL CARBURETOR PARTS & REPAIR KITS

- 800204** Accelerator pump seal. 
1963-64 Avanti R-2 (not included with
1558469 kit). **\$15.00 ea.**



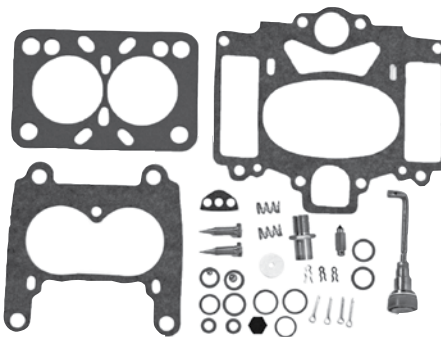
- 1552538** 1955-62 car, WCFB. Truck: E-7E
2, 7, 13, 28, 38, 40. **\$48.00/kit**

- 1558469** 1963-64 car & Avanti R-1 & R-2,
Carter AFB 3506S, 3540S, 3589S, 3726S.
Truck: 7E-8E 7, 12, 13, 28, 40. **\$55.00/kit**

CARBURETOR INLET NEEDLE AND SEAT

- 518626** 1951-52 Commander.
..... **\$20.00 ea.**

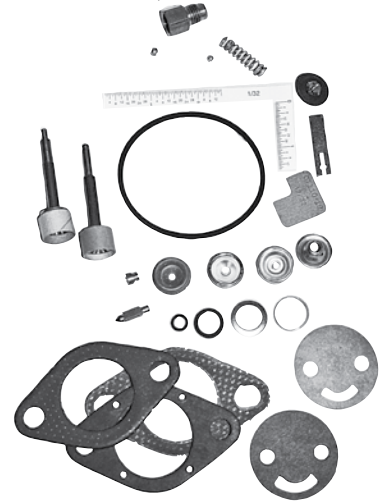
V-8 2-BBL CARBURETOR REPAIR KITS



- 531842** 1951-52 car, Stromberg AAUVB-26,
6-107, 6-111. Pictured above. **\$58.00/kit**
- 1543054** 1957-58 car with supercharger,
Stromberg WW: 6-121A, B, 6-122. **\$54.00/kit**
- 1552791** 1953-62 car, Stromberg WW.
Truck: E - 2E 7, 12 & 3E - 8E 7, 12, 13, 28, 38,
40. **\$54.00/kit**
- 1562329** 1963-64 car, Stromberg WW: 6
130, 132. Truck: 8E 7, 12, 13, 28, 40.
..... **\$39.00/kit**
- 1564614** 1965-66 car, Rochester GC:
7024101, 110, 7025088. **\$28.00/kit**

6-CYLINDER 1 BBL CARBURETOR REPAIR KITS

- 518227** 1935-37 Dictator & Coupe Express.
Stromberg EX-23: 6-9, 6-49, 6-62.
..... **\$68.00/kit**
- 518250** 1938-40 Stromberg BXO-26:
6-69, 6-84 **\$81.25/kit**
- 518557** 1939-52 Stromberg BXV,
BXOV-26: 6-90, 6-91, 6-98, 6-100, 6-101,
6-104, 6-109.Truck: M16 & M17. ... **\$54.60/kit**
- 518760** 1937 Dictator & Coupe Express.
Carter W-1:371S. **\$66.80/kit**
- 518824** 1939-40 Champion. Carter WO:
444S, 453S, 468S. **\$65.50/kit**
- 518840** 1941-42 Champion. Carter WA1:
496S. Truck: M5 & M15. **\$63.00/kit**
- 1543433** 1946-58 Champion. Carter WE:
532S, 661S, 715S, 989SA, 2108S, 2190S,
24157, 6275, 5A, 2417S.Truck: M5, M15, M15A.
..... **\$55.00/kit**
- 1550400** 1959 Lark or Hawk. Carter AS:
2876S.Truck: 4E 1, 5. **\$82.00/kit**
- 1550822** 1960-62 Lark or Hawk. Carter AS:
3046S, 2934S, 3159S-3162S, 3186S, 3370S-
3373S. Truck: 7E 5,10. **\$81.00/kit**



- 1562643** 1963-64 Lark. Carter RBS:
3538S, 3539S, 3653S, 3654S. Truck: 8E 5, 10.
(Pictured above). **\$66.00/kit**
- 1564580** 1965-66 Lark. Rochester B, BV:
7025087, 105, 108, 7026085. **\$20.50/kit**
- 1689678** 1949-59 all models with Carter
BBR-1. Truck: 2R-2E 5, 6, 10, 11, 14, 17 & 3E 1,
3, 5, 6, 10, 11, 14, 16, 17. **\$49.50/kit**

CARBURETORS REBUILT

- 802188 Most Models Available**
We must have old re-buildable core first.
..... **Call (317) 462-3124**
for Availability & Pricing

CARBURETOR NOS



1564967 1965-66 194 6-cylinder.
..... **\$225.00 ea.**

Kits save Money!

MAJOR CARBURETOR OVERHAUL KITS



NOTE: THESE NOS KIT CONTAINS ALL GASKETS AND SEALS, JETS, PLUGS, NEEDLE AND SEAT, AND MANY OTHER ITEMS.

- 518824X1** 1939-40 Champion with 444-S or 453-S Carter. **\$75.00/kit**
527443 1937 Dictator, 1938 & 1950 Commander with WE Carter. **\$60.00/kit**
533631 1953-55 V-8 with 6-112, 6-113 or 6-115 Stromberg 2-barrel. **\$60.00/kit**
 674596 Truck: 1937-42 includes M16 & M17 with 428-S or 514-S Carter. **\$70.00/kit**
1541923 1947-50 Commander Truck: M16 & M17 with BXOV-26 Stromberg. . **\$70.00/kit**
1541927 1956-58 V-8 with 6-117A or B Stromberg 2-barrel. **\$70.00/kit**
1550400X1 1959 Lark 6, Truck: Champ 6-cylinder with 2876S Carter. **\$82.50/kit**
1552421 1961 Lark, Truck: Champ 6-cylinder with 3159S or 3160S Carter. **\$75.00/kit**
1552535 1961 6-cylinder with 3161S or 3162S Carter. Excludes metering rods & jets. **\$70.00/kit**
1555288 1962 6-cylinder with 3370S or 3371S Carter. No Stock
1565682 1966 230 6-cylinder. Pictured. **\$65.00/kit**

CARBURETOR GASKET SETS

NOTE: THESE NOS GASKET KITS CONTAIN ALL OF THE GASKETS FOR EACH OF THE LISTED CARBURETORS. NO OTHER HARDWARE IS INCLUDED.

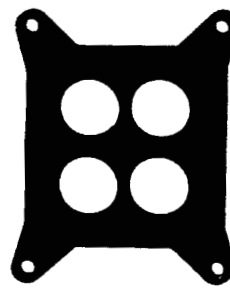
- 518627** Stromberg AAO-161 **\$15.00/set**
525969 Carter WE 532S, 661S, 715S, 627SA. **\$15.00/set**
533632 1953-56 Commander with Stromberg WW. **\$15.00/set**
533918 1953-58 Champion with Carter WE. **\$15.00/set**
680772 1951-52 Commander, Stromberg AAUVB-26. **\$15.00/set**
1540645 1956-58 Commander with Stromberg WW. 6-117 **\$15.00/set**
1543055 1957-58 supercharger with Stromberg WW 6-121A, 6-121B, 6-122. **\$15.00/set**
1543277 Late 1958, all 1959, & 1960 Commander with Carter WCFB 2574S, 2575S. **\$15.00/set**
1543382 1955 - Early 1958 V-8 with Carter WCFB. **\$15.00/set**
1550308 1959-61 V-8 with Stromberg WW 6-123, 123A, 123B, 125B. **\$15.00/set**
1551318 1960 6-cylinder with Carter AS-2934SA. **\$15.00/set**
1550399 1959-60 6-cylinder with Carter AS. 2876-5, 2934-5, 3046-5. **\$15.00/set**
1555292 1962-63 V-8 with Stromberg WW 6-127 thru 6-130. **\$15.00/set**
1560329 1963-64 6-cylinder with Carter RBS. **\$15.00/set**
1563876 1964 V-8 with Stromberg 132 **\$15.00/set**
1564574 Rochester 7024101, 7024110, 7025088. **\$15.00/set**
1564577 Rochester 7025105, 7025108, 7025087, 7025608. **\$15.00/set**
1689309 Stromberg WW 6-119, 120. 1957-59 V-8 truck. **\$15.00/set**

CARBURETOR IMPROVEMENT KITS

- 1550997** Fuel delivery kit. 1960 6-cylinder with 2934S or 3064S Carter. Includes pump plunger, step-up rods, inlet needle, pump link and top cover gasket. **\$25.00/kit**



- 1550998** 1960 6-cylinder with 2934S or 3046S Carter. Includes thermostat housing & spring, choke plate vacuum piston & small related parts. Pictured above. **\$30.00/kit**



CARBURETOR BASE GASKETS

- 440613** 1956 Golden Hawk & 1955-62 all models with WCFB 4-BBL carburetor. **\$3.90 ea.**
684059 1951-56 V-8 with 2-BBL carburetor. **\$2.50 ea.**
1540006 1957-64 V-8 WW 2-BBL carburetor 1/8" thick. **\$2.50 ea.**
1549319 1959-64 6-cylinder. **\$2.50 ea.**
1557002 1963-64 with AFB 4-BBL carburetor including 1963-64 Avanti 1/16" thick. **\$2.50 ea.**
1557002X1 Same as 1557002 except extra thick. 1963-64 Avanti and 1963-64 Lark/Hawk with jet thrust engine. **\$7.50 ea.**
1564512 1965-66 V-8. **\$2.50 ea.**

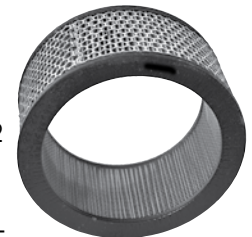
CARBURETOR TO AIR CLEANER ADAPTERS & SEALS

- 473070** Carburetor / air cleaner seal. All 1955-62 WCFB and 1963-64 AFB 4-BBL including Avanti. **\$2.50 ea.**
1549361P Carburetor to air cleaner adapter. 1959-60 V-8 with dry air cleaner. Pictured. **\$22.50 ea.**
1551977 Carburetor to air cleaner adapter. 1961 V-8 with dry air cleaner. **\$22.50 ea.**
1564550 Carburetor / air cleaner seal 1965-66 V-8. **\$2.00 ea.**



AIR FILTER ELEMENTS

- 1547813** 1953-62 6-cylinder car, 1953-60 V-8 car with 2-BBL carb Truck: E-7,12,3E-6E 1, 2, 5, 6, 7, 10, 11, 12, 14, 16 & 7E 5,10. Pictured. **\$10.00 ea.**
1552494 1961-64 V-8 car 2 or 4-BBL 1957-58 with supercharger. Requires spacer. Truck: 6E-8E 7,12. **\$18.50 ea.**
1555053 1962-63 6-cylinder car, 1963-64 Lark, Hawk & Avanti with jet thrust R-2 engine Truck: 8E 5, 10. Takes 2. **\$17.25 ea.**
1558962 1963-64 Lark, Hawk & Avanti with jet thrust R-1 engine. **\$15.00 ea.**
1561842 Dry. 1964-66 Lark 6-cylinder. **\$9.00 ea.**
1564132 1965-66 V-8. **\$9.00 ea.**





- 530576** Dry. 1951-52 Commander. Does not include elbow. **\$130.00 ea.**
531933 Cover only. Wet. 1953-54 Champion and Commander. **\$65.00 ea.**
533022 Dry. 1953-54 Champion. **\$160.00 ea.**
533023 Dry. 1953-54 Commander. Pictured above. **\$160.00 ea.**
533096 Wet. 1953-54 Commander sedan. Pictured, center. **\$109.00 ea.**



- 533103** Wet. 1953-54 Champion. **\$120.00 ea.**
533332 Cover only. Dry. 1953-54 Champion and Commander. **\$65.00 ea.**
536617X3 Wet. 1955-58 V-8 sedan with 4 barrel carburetor. **\$155.00 ea.**
536774 Wet. Filter element for 536317-8 air cleaner. **\$55.00 ea.**
682024 Wet. Truck: 3R, 28, 38. **\$105.00 ea.**
684041 Wet. Truck: E - 2E 5, 10, 15, 4E 3, 6, 11, 14, 16. **\$105.00 ea.**
684121 Wet. 1955-58 V-8 truck with 4 barrel carburetor. **\$160.00 ea.**
1540238 Dry. 1956-58 Champion 6-cylinder. **\$120.00 ea.**
1540239 Wet. 1956-58 Champion. **\$85.00 ea.**

Pictured, right



- 1547566** Wet. 1959-60 6-cylinder car. **\$105.00 ea.**
1550381 Wet. 1960 V-8 Hawk with 2 barrel carburetor. **\$95.00 ea.**
1551338 Wet. 1961-62 6-cylinder. **\$109.00 ea.**
1551513 Wet. 1961 V-8 2-BBL. **\$109.00 ea.**
1551979 Dry. 1961 with 2 barrel V-8. **\$155.00 ea.**

- 1554685** Wet. 1962-64 V-8 2-BBL without positive crankcase ventilation. **\$109.00 ea.**
1563903 Dry. 1965-66 6-cylinder without sealed crankshaft ventilation. **\$120.00 ea.**
1563904 Dry. 1965-66 6-cylinder with sealed crankshaft. **\$120.00 ea.**

- 1563906** Dry. 1965-66 V-8 with sealed crankshaft. **\$120.00 ea.**
1565285 Wet. 1965-66 6-cylinder with sealed crankshaft. **\$100.00 ea.**
1558366 Wet. 1963-64 6-cylinder. **\$100.00 ea.**
1690922 Wet. Truck: 4E- 8E 2, 7, 12, 13, 28, 40 4-BBL. **\$105.00 ea.**
1692672 Wet. Truck: 5E 14, 16. **\$105.00 ea.**
1694197 Wet. Truck: 7E, 15, 25, 35, 45. **\$105.00 ea.**

AIR CLEANER CHROME WINGNUT

- 3-015** Standard on 1963-64 models with Avanti jet thrust engine and a nice addition on other models. Chrome washer included. **\$5.00/set**

AIR CLEANER SUPPORTS

- 521604** Bracket, wet air cleaner support 1947-49 Commander. **\$8.00 ea.**
1561724 Air cleaner clamp with Fram 1561841 or 1563120 air cleaners. 1964 6-cylinder. **\$10.00 ea.**

R-1 AIR CLEANERS



- 1562826** Chrome air cleaner for 1963-64 Avanti with R-1 engine and 1963-64 Lark or Hawk with jet thrust R-1 Engine. Will also work on any model Studebaker with Carter WCFB or AFB 4-BBL carburetor. Excellent quality chrome cover and black painted base with 4 1/8" opening. Includes filter element and decal. **\$245.00 ea.**
1562826X Same as above except with 5 1/8" opening base to fit modern Edelbrock 4-BBL carburetor. Includes filter element and decal. **\$245.00 ea.**
801844 Black base only, for 1562826 Air Cleaner 4 1/8". **\$39.00 ea.**
801845 Chrome appearing base only, for 1562826X Air Cleaner. 5 1/8" **\$25.00 ea.**

SUPERCHARGER RELATED PARTS

- NEW Listing - G451228** Hose clamp, supercharger to carburetor air box, 1957-58. Takes 2. NOS. **\$8.00 ea.**
41X32 Washer, idler arm (large) All models with supercharger including Avanti. **\$1.50 ea.**
800241 Air cleaner lid seal. 1963-64 Lark, Hawk & 1964 Avanti with jet thrust R-2 engine. **\$6.50 ea.**
800307 Emblem 1957-58 Golden Hawk. Fits on top of McCulloch supercharger **\$19.00 ea.**



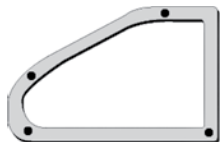
- 801652** Emblem 1957 Packard & 1958 Packard Hawk. Fits on top of McCulloch supercharger **\$19.00 ea.**
1542293 Bracket, supercharger to water manifold. 1957-58 Golden Hawk, 1957 Packard, 1958 Packard Hawk **\$125.00 ea.**



- 1542337** Elbow, supercharger to air cleaner. 1957-58 Golden Hawk, 1957 Packard, 1963-64 R-2 Lark & Hawk **\$42.00 ea.**

SUPERCHARGER RELATED PARTS Continued

1542353 Air box seal, 1957-58 Golden Hawk, 1957 Packard & 1958 Packard Hawk. Halves seal together to keep air pressure in.



\$12.50 ea.

1542362 Idler arm bushing (smaller, takes 2) All models with supercharger including Avanti.

1542363 Idler arm bushing, larger, takes 2. All models with supercharger including Avanti.

1542364 Snap ring, larger, takes 2. All with supercharger including Avanti.

1542365 Snap ring, smaller, takes 2. All with supercharger including Avanti.

1542691 Kick down switch. 1957-58 models with s/c

1542765 Flapper valve, 1957-58 Golden Hawk, 1957 Packard, 1958 Packard Hawk, 1963-64 Lark, Hawk, Avanti with jet thrust R-2 engine. Fits inside carburetor air box or bonnet.



\$15.00 ea.

1542801

Flexible hose supercharger to air cleaner. 1957-58 Golden Hawk. 1957 Packard, 1958 Packard Hawk.

1542802 Hose to supercharger carburetor. 1957-58 All 1963-64 Lark & Hawk.

1542834 Dashpot on carburetor with automatic transmission. 1957-58 Golden Hawk, 1957 Packard, 1958 Packard Hawk with supercharger. Plus 1959-64 with 2-barrel carburetors.



1542901 Supercharger solenoid. 1957-58.

1542908 Pulley with hub. 1957-58 Golden Hawk, 1957 Packard, 1958 Packard Hawk with supercharger.



\$135.00 ea.

1542912 Pulley with bushing. 1957-58 with supercharger.

1542916 Bearing, driven pulley. 1957-58 with supercharger.



1542920 Piston, air cylinder. 1957-58 Golden Hawk, 1957 Packard, 1958 Packard Hawk with supercharger.

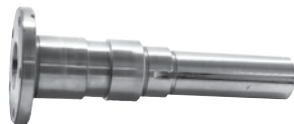
1542921 Spring, air cylinder piston. 1957-58 with supercharger.

1542937 Seal, s/c input shaft. All models with s/c, including Avanti.



\$12.00 ea.

1542952 Driver. All models with supercharger.



1542953 Shaft with Bushing, input. 1957-58 with supercharger.

\$125.00 ea.

1542958 Spring Race Load Coil. 1957-58 with supercharger.



1542973 Retainer idler arm spring. 1957-58 Golden Hawk, 1957 Packard, 1958 Packard Hawk with supercharger.



1552401 Bolt, idler pulley. All models with power steering, including Avanti with supercharger.

\$20.50 ea.

1552569 Bearing, idler pulley. All models with s/c, including Avanti.



1556854 Support, supercharger mounting bracket. 1963-64 Avanti.



1556953 Carburetor air bonnet. Chrome. 1963 - 64 Avanti with R-2 supercharged engine.

1557350 Hose, supercharger to air cleaner. 1963-64 Avanti.



\$45.00 ea.

1557751 Hose, supercharger to carburetor 1963-64 Avanti.



\$45.00 ea.

1558328 Chrome clamp, supercharger to carburetor hose. 1963 Lark, Hawk & Avanti.



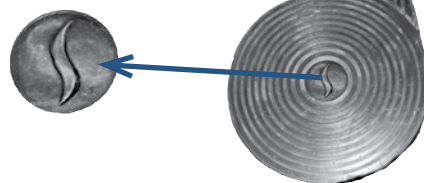
\$12.50 ea.

NEW Listing - 1558629 Flexible hose. supercharger to air cleaner. 1963-64 Lark R-2.

NEW Listing - 1558732 Flexible hose, supercharger to air cleaner. 1963-64 Hawk.

Note: For supercharger belts see page 80

ACCELERATOR (GAS) PEDAL COVER & WEAR PADS



AC-2029 Accelerator pedal cover and wear pad with "S" logo. Popular Studebaker accessory for most models 1947-65. Prolongs life of accelerator pedal and protects floor covering where the most wear occurs. Fabricated of heavy black rubber. Slides on easily.

GAS PEDALS

TYPE (A)



TYPE (B)

527135 1950 car with auto trans, 1951-55 car with type A fastener, all except C & K.

532800 1953-58 C & K models with type A fastener.

535117 With type B fastener, 1953-64 C & K models, includes Hawk. 1959 Lark, all models.

680280 Late 2R-1961 C-cab truck.

1546963 1960 Lark 6-cylinder. 1960-61 V-8 Lark & 1960 Champ truck.

1560745 1963-85 Avanti. Pictured left.

1563463 1965 mounted under carpet.

1565001 1965 mounted on top of carpet.

1565170 1966 with suspended pedal.

CHOKE COVER ACCELERATOR PUMP PLUNGER

801839 For Carter WE Carburetor. 1947-48 Champions with 532-S or 661-S model carburetor. One each 519711 and 519691. **\$24.00 set**

PIPE, AUTO CHOKE

531379 Pipe, auto choke to manifold. 1951-52 V-8. **\$15.00 ea.**

TUBE, AUTO CHOKE HEATER

532420 1952 V-8. **\$24.00 ea.**
532571 1953-58 V-8. **\$24.00 ea.**



CHOKE HOUSING & THERMOSTATS

530555 Carter WE 1949-54 Champion. **\$35.00 ea.**

531946 Stromberg AAUVB, 1951-52 Commander. **\$35.00 ea.**
533621 Stromberg WW. 1953-58 V-8. **\$35.00 ea.**

CHOKE COVER SEAL

537187 Choke cover seal. WCFF or AFB 4-BBI. **\$1.00 ea.**



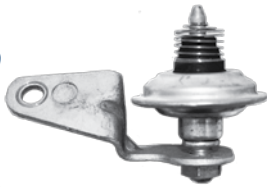
THROTTLE CHECKS



NEW-533820 1953-58 V-8 with 2-BBL carburetor & automatic transmission. **\$35.00 ea.**

NEW-1557729

1963-64 Lark & Hawk. with Carter AFB 4-BBL carburetor & without jet thrust engine. **\$35.00 ea.**



THROTTLE BOOT

513536X1 1939-66 car & truck all models & 1963-85 Avanti. Keeps hot air out of interior compartment. **\$6.50 ea.**

THROTTLE BELLCRANK SWIVEL



195716 On linkage below gas pedal. 1947-52 all models, 1941-66 most models & 1963-85 Avanti. **\$9.50 ea.**

THROTTLE RETURN SPRINGS & BRACKETS

195999 Accelerator pullback. 1947-50 Commander with standard trans. & Cars 1939-46 All. **\$8.00 ea.**

520443 Spring, throttle return. 1947-64 6-cyl (Includes 51 Champion & Commander with standard transmission. **\$8.00 ea.**

527423 Spring, throttle. 1950 Commander with automatic transmission. **\$8.00 ea.**

529300 Upper accelerator return spring. 1950-58 Champion with automatic transmission. **\$8.00 ea.**

NEW Listing - 529301 Lower throttle spring. 1950 Champion and 1951-52 Commander with automatic transmission. 1953-55 V-8, and 1956 Golden Hawk. .. **\$6.50 ea.**

533585 Throttle spring. 1955-57 Commander & President with air conditioning & having a 2-barrel carburetor. **\$6.00 ea.**

534230 Spring, carburetor actuating. 1953 Commander. **\$8.00 ea.**

NEW Listing - 534766 Cross shaft to carburetor. 1954 - 55 Commander. **\$6.50 ea.**

536440 Spring, throttle return. 1955 Commander with standard and overdrive Trans & having a 2-barrel carburetor. **\$8.00 ea.**

536596 Bracket, throttle spring to manifold valve cover. 1956-64 car, truck with 4BBL & 1963-64 Avanti. **\$5.00 ea.**

537355 Spring, throttle return. 1955-64 V-8 with 4-BBL including 1963-64 Avanti. **\$4.95 ea.**

537356 Bell crank to carburetor spring. 1955 Commander & Late 1955 President w 4-BBL. **\$7.50 ea.**

684020 Truck: Bell crank to carburetor. E - 2E with automatic transmission. Also used as actuating spring for V-8 truck with 2-barrel carburetor. **\$7.50 ea.**

1549684 Bracket, throttle spring to manifold. 1953-60 most models, 1963-64 Avanti. Trucks: E-2E. **\$6.50 ea.**

1550646 Spring, throttle. Carburetor linkage to water outlet. 1951-64 V-8, most models except Avanti. **\$4.95 ea.**

1559671 Spring, throttle. 1951-64 V-8 most models except Avanti. Carburetor linkage to valve cover. **\$4.95 ea.**

1563902 Spring, throttle return. 1965-66 6-cylinder. **\$7.50 ea.**

1564772 Spring, throttle return. 1965 V-8 without suspended pedal. **\$7.50 ea.**

1565175 Spring, throttle return. 1965 & early 1966 V-8 with suspended pedal. ... **\$9.50 ea.**

PCV VALVES

NEW Listing - 1561327 1963-64 6-cylinder. **\$25.00 ea.**

1562731 1963-64 Avanti. **\$36.00 ea.**

1564710 1965-66 6-cylinder. **\$20.00 ea.**

1564729 1965-66 V-8. **\$20.00 ea.**

Swap Meets

Unfortunately, we can only attend a select few.

Visit our online "Events" page for current meet information and order deadlines.

Remember - delivery of your prepaid order during a meet is FREE!



www.studebaker-intl.com